

Our strength: more ideas...

# Lifting and transport equipment



## JUNG 2012/13

Anniversary edition

# 40 YEARS

**JUNG**

Hebe- und  
Transporttechnik  
GmbH

# Perfect technology based on years of experience

*Made in Germany*

## Your advantages from our services

### Made in Germany

We have more than 40 years of experience in the development and manufacture of rigging equipment. Our lifting and transport equipment has proven itself a thousand times over as essential tools in all areas in which the movement of heavy loads is required.

### Quality

State of the art CNC technology, advanced welding robots and a certified quality management system (DIN EN ISO 9001) assures a consistently high level of product quality. Each product is subjected to a pre-shipment function test and receives a test badge displaying the next maintenance check due date.

### ISO 9001 Certification

### Repair & Maintenance Service

Even after many years of use, our products are still ready for use. For this we provide maintenance and repair service, as well as replacement parts.

### Warranty

We provide a 5 year warranty on all jacks and transport trolleys when products are used as directed.

### Availability

Almost all standard product lines are in stock 365 days a year. Custom solutions

### Custom solutions

We solve uncommon lifting and transport problems through custom designs - safe, fast and cost effective.

### The environment

We meet our ecological responsibilities in our daily work flow. We utilize our own solar power, employ power from regenerative energy sources and have examined our ecological accountability under the Ecofit project.

### JUNG at the World Wide Web

For recent news and information please visit our website: [www.jung-hebetechnik.de](http://www.jung-hebetechnik.de)  
Visit us on facebook or watch videos of our products on YouTube!



# We always offer the perfect solution for your transport problem!

## List of content

Hydraulic jacks up to 30 metric tons – Series JH-G plus	<b>4-7</b>
Hydraulic jack sets up to 20 metric tons – Series JHS	<b>8-9</b>
Hydraulic jacks up to 50 metric tons – Series JH-P	<b>10</b>
Electric hydraulic pumps JPE	<b>11</b>
Hydraulic handpump JP and air hydraulic pump JPL	<b>12</b>
Accessories and hydraulic hoses JS	<b>13</b>
Trolley information and overview	<b>14</b>
Revolving transport trolleys for loads up to 15 metric tons – Series JKB	<b>15-17</b>
Transport trolleys for loads up to 24 metric tons – Series K	<b>18-19</b>
Transport trolleys for loads up to 28 metric tons – Series K professional	<b>20-21</b>
Transport trolleys for loads up to 48 metric tons – Series S	<b>22</b>
Self-powered trolley JLA 15/30 G – for transport weights up to 30 metric tons	<b>23</b>
Transport trolleys for loads up to 60 metric tons – Series G	<b>24-25</b>
Tandem transport trolleys for loads up to 14 metric tons – Series K	<b>26</b>
Tandem transport trolleys for loads up to 30 metric tons – Series G	<b>27</b>
Transport trolleys for loads for loads up to 160 metric tons – Series H	<b>28-29</b>
Twistlock / „Weld-on Cone“	<b>30</b>
Accessories	<b>31</b>
High strength durable castors for any application	<b>32-33</b>
Optional galvanized equipment and custom solutions	<b>34-35</b>
Contact address for sales and service	<b>36</b>

# The new lightweight jack

Professional solutions for professionals

■ **Innovative**

■ **Light**

■ **Compact**

■ **Strong**

Extreme weight reduction through improved construction.

Removable handle on JH 6 G plus and JH 10 G plus.

Work and lift safely with our patented lifting toe system (Pat.-No. 4413478).

Easy maintenance through single exchangeable pump unit; safety pressure relief valve with dirt filter prevents overloading. Additionally available also as JH G plus serial EX-version, without integrated pump unit.

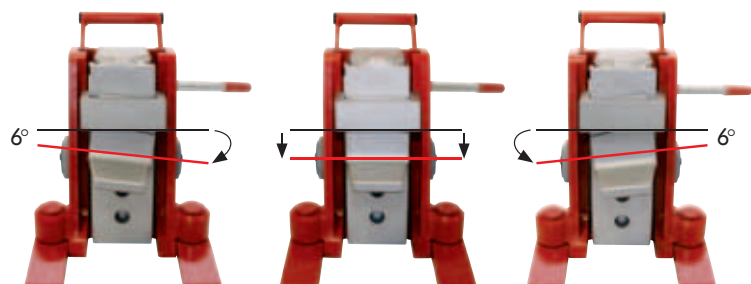
Swivelling safety toe with sloped design for extreme robustness to prevent fractures. The advanced strength steel is impact resistant and provides optimal safety.

Maximum output through reduced friction in the lifting track with our patented slide shoe design.

Sturdy swivelling feet - for easy and safe positioning in every situation.

Swivelling safety lifting toe for optimal adjustment to the load in a varying inclination up to  $\pm 6^\circ$ .

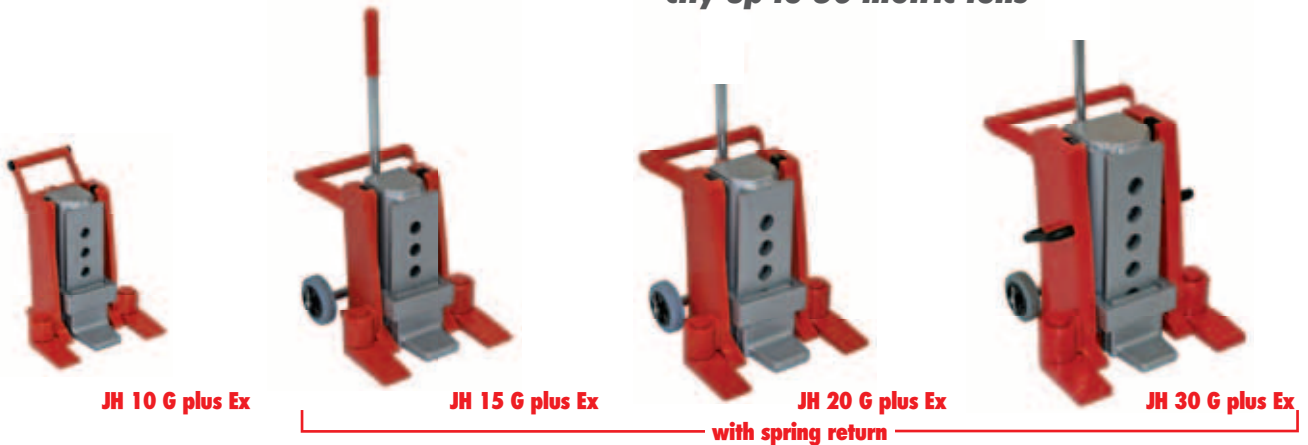
► Inspection accordingly technical regulation BGV D 8 (German) and ANSI/ASME (USA)



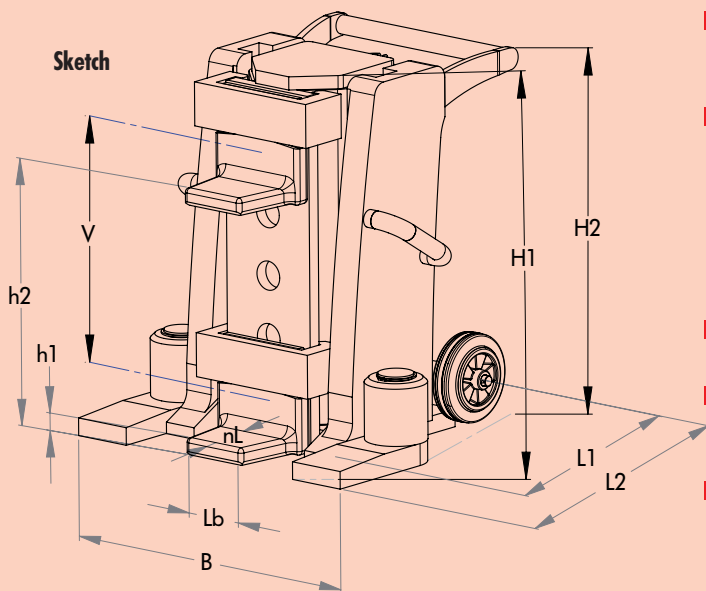


# Jack Series JH-G plus Ex

without integrated pump unit, load capacity up to 30 metric tons

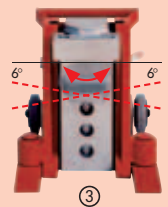
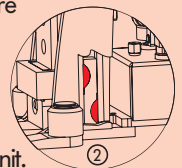
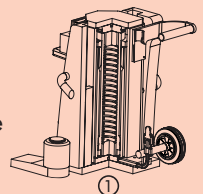


Inspection accordingly technical regulation BGV D8 (German) and ANSI/ASME (USA)



## Advantages in detail

- Because of spring return (see picture 1) with JH 15 G plus up to JH 30 G plus you will need no force for reset the slide assembly.
- Reduced friction through slide shoes that are mobile in their seats. Under application a larger contact surface guarantees better force distribution. The resulting advantages are less friction, more power and reduced wear of the lifting track than with conventional jacks (see pict. 2).
- Reduced maintenance costs through easy to change slide shoes and exchangeable pump unit.
- Extremely lightweight with high performance through the use of high-quality material and innovative design changes.
- Continual adjustment to the load through swivelling safety toe. Secure stableness in every situation even in lifted position (see picture 3).



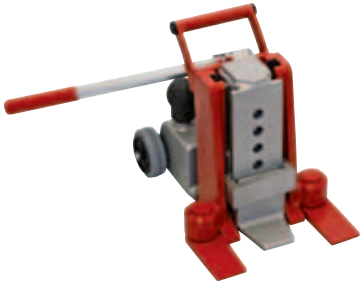
Type	Sketch		JH 10 G plus Ex	JH 15 G plus Ex	JH 20 G plus Ex	JH 30 G plus Ex
Full load capacity*		kg / lbs	10 000 / 22 000	15 000 / 33 000	20 000 / 44 000	30 000 / 66 000
Stroke		mm / in	150 / 6.0"	175 / 7.0"	190 / 7.5"	200 / 8.0"
Minimum lift toe height	h 1	mm / in	15 / 0.6"	20 / 0.8"	20 / 0.8"	20 / 0.8"
Maximum lift toe height	h 2	mm / in	180 / 7.1"	205 / 8.2"	225 / 8.9"	305 / 12.2"
Lift toe adjustment	V	mm / in	5 x 41 / 1.6"	5 x 46 / 1.8"	5 x 51 / 2"	5 x 71 / 2.8"
Top plate height	H 1	mm / in	275 / 10.8"	310 / 12.4"	340 / 13.4"	420 / 16.8"
Toe width front	Lb	mm / in	60 / 2.4"	80 / 3.2"	80 / 3.1"	80 / 3.2"
Toe depth	nL	mm / in	55 / 2.2"	66 / 2.6"	66 / 2.6"	66 / 2.6"
Length feet in front	L 2	mm / in	270 / 10.8"	310 / 12.2"	310 / 12.2"	350 / 14.0"
Length feet on side	L 1	mm / in	210 / 8.4"	230 / 9.1"	230 / 9.1"	270 / 10.8"
Width	B	mm / in	247 / 9.9"	300 / 12.0"	322 / 12.9"	375 / 15.0"
Height	H 2	mm / in	310 / 12.4"	310 / 12.4"	340 / 13.6"	420 / 16.8"
Cylinder volume		L / in <sup>3</sup>	0,3 / 18.31"	0,5 / 30.51"	0,73 / 44.55"	1,27 / 77.5
Weight		kg / lbs	29 / 63.8	48 / 105.6	60 / 132	92 / 202.4
<b>Order number</b>			<b>11 610 106-G</b>	<b>11 615 106-G</b>	<b>11 620 106-G</b>	<b>11 630 106-G</b>

\*load on top plate

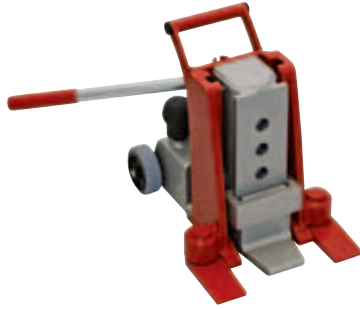


# Jack Series JH-G plus

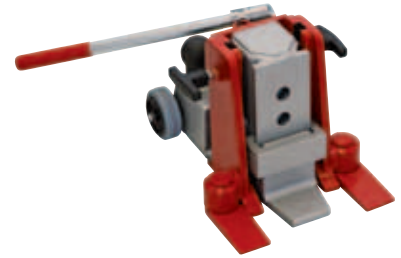
Load capacity up to 10 metric tons



**JH 6 G plus**



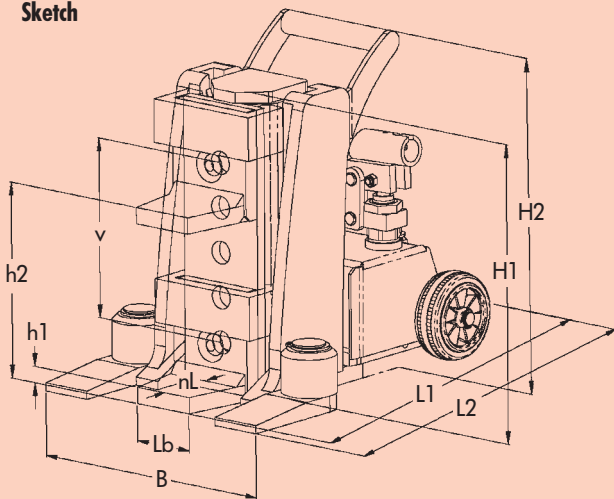
**JH 10 G plus**



**JH 10 G plus ku**

Inspection accordingly technical regulation BGV D8 (German) and ANSI/ASME (USA)

### Sketch



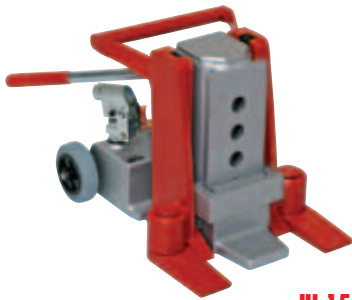
JH 10 G plus combined with trollies from our Series K

Type	Sketch		JH 6 G plus	JH 10 G plus	JH10 G plus ku
Full load capacity*		kg / lbs	6 000 / 13 200	10 000 / 22 000	10 000 / 22 000
Stroke		mm / in	140 / 5.5"	150 / 5.9"	108 / 4.3"
Minimum lift toe height	h 1	mm / in	12 / 0.5"	15 / 0.6"	15 / 0.6"
Maximum lift toe height	h 2	mm / in	157 / 6.2"	180 / 7.1"	138 / 5.4"
Lift toe adjustment	V	mm / in	6 x 29 / 1.1"	5 x 41 / 1.6"	4 x 41 / 1.6"
Top plate height	H 1	mm / in	245 / 9.6"	275 / 10.8"	235 / 9.3"
Toe width front	Lb	mm / in	50 / 2.0"	60 / 2,4"	60 / 2,4"
Toe depth	nL	mm / in	50 / 2.0"	55 / 2.2"	55 / 2.2"
Length feet in front	L2	mm / in	326 / 12.8"	346 / 13.6"	346 / 13.6"
Length feet on side	L1	mm / in	311 / 12.2"	330 / 13"	330 / 13"
Width	B	mm / in	233 / 9.2"	247 / 9.7"	247 / 9.7"
Height	H 2	mm / in	280 / 11"	310 / 12.2"	235 / 9.3"
Cylinder volume		L / in <sup>3</sup>	0,18 / 11.5"	0,3 / 19.6"	0,21 / 12.82"
Weight		kg / lbs	23 / 50.7	29 / 63.9	26 / 57.3
<b>Order number</b>			<b>01 060 102-G</b>	<b>01 100 102-G</b>	<b>01 100 103-G ku</b>

\*load on top plate

# Jack Series JH-G plus

Load capacity up to 20 metric tons



JH 15 G plus



JH 20 G plus

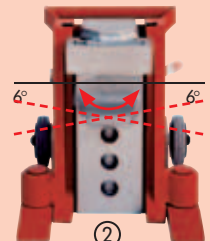
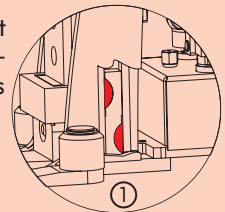
Inspection accordingly technical regulation BGV D8 (German) and ANSI/ASME (USA)



## Advantages in detail



- Reduced friction through slide shoes that are mobile in their seats. Under application a larger contact surface guarantees better force distribution. The resulting advantages are less friction, more power and reduced wear of the lifting track than with conventional jacks (see picture 1).
- Reduced maintenance costs through easy to change slide shoes and exchangeable pump unit.
- Extremely lightweight with high performance through the use of high-quality material and innovative design changes.
- Continual adjustment to the load through swivelling safety toe. Secure stability in every situation even in lifted position (see picture 2).
- JH 15 / JH 20 G plus serial outfitted with fast stroke. Also available with spring return.



Type	Sketch		JH 15 G plus	JH 20 G plus
Full load capacity*		kg / lbs	15 000 / 33 000	20 000 / 44 000
Stroke		mm / in	175 / 6.9"	190 / 7.5"
Minimum lift toe height	h 1	mm / in	20 / 0.8"	20 / 0.8"
Maximum lift toe height	h 2	mm / in	205 / 8.1"	225 / 8.9"
Lift toe adjustment	V	mm / in	5 x 46 / 1.8"	5 x 51 / 2"
Top plate height	H 1	mm / in	310 / 12.2"	340 / 13.4"
Toe width front	L b	mm / in	70 / 2.8"	80 / 3.1"
Toe depth	n L	mm / in	66 / 2.6"	66 / 2.6"
Length feet in front	L 2	mm / in	415 / 16.3"	425 / 16.7"
Length feet on side	L 1	mm / in	401 / 15.8"	405 / 15.9"
Width	B	mm / in	300 / 11.8"	322 / 12.7"
Height	H 2	mm / in	310 / 12.2"	340 / 13.4"
Cylinder volume		L / in <sup>3</sup>	0,5 / 30.2"	0,73 / 44.6"
Weight		kg / lbs	48 / 105.8	60 / 132.3
<b>Order number</b>			<b>01 150 102-G</b>	<b>01 200 102-G</b>

\*load on top plate

# Hydraulic jacks – JHS

Load capacity up to 20 metric tons



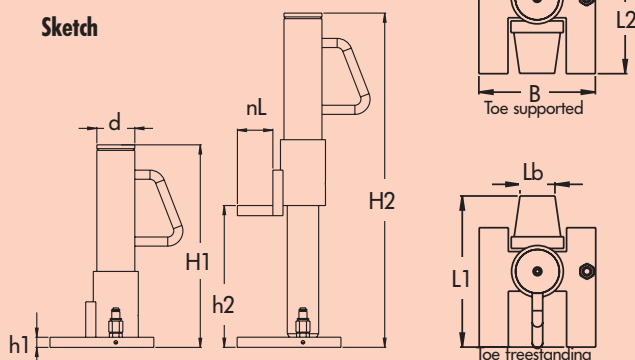
JSET 10/2



JSET 20/3

► Inspection accordingly technical regulation BGV D8 (German) and ANSI/ASME (USA)

### Sketch



## Advantages in detail



- 180° revolving slide – for use with or without lifting feet.
- High capacity at low weight.
- Separated pump unit, flexible use even in confined spaces, also in horizontal position.

### Hydraulic jacks with pump and hoses in one set

Set type	JSET 5/2	JSET 10/2
Jack	1 x JHS 5	2 x JHS 5
Hose	1 x JS 2	2 x JS 2
Pump	JP 26	JP 26
<b>Order number</b>	<b>20 405 200-S</b>	<b>20 410 200-S</b>

Set type	JSET 10/3	JSET 20/3
Jack	1 x JHS 10	2 x JHS 10
Hose	1 x JS 3	2 x JS 3
Pump	JP 26	JP 26
<b>Order number</b>	<b>20 410 301-S</b>	<b>20 420 301-S</b>

► Please refer to page 12 for hand pumps, to page 13 for hydraulic hoses, for electrical pumps to page 11

### Single hydraulic jacks JHS

Type	Sketch		JHS 5*	JHS 10*
Full load capacity		kg / lbs	5 000 / 11 000	10 000 / 22 000
Minimum lift toe height	h 1	mm / in	15 / 0.5"	20 / 0.8"
Maximum lift toe height	h 2	mm / in	240 / 9.5"	240 / 9.5"
Top plate height	H 1	mm / in	350 / 13.8"	370 / 14.6"
Maximum top plate height	H 2	mm / in	590 / 23.2"	610 / 24"
Toe width front	Lb	mm / in	45 / 1.8"	60 / 2.4"
Useable toe depth	nL	mm / in	40 / 1.6"	55 / 2.2"
Diameter top plate	d	mm / in	60 / 2.4"	80 / 3.1"
Length toe supported	L2	mm / in	170 / 6.7"	205 / 8.1"
Length toe exposed	L1	mm / in	220 / 8.7"	260 / 10.2"
Width	B	mm / in	145 / 5.7"	200 / 7.9"
Cylinder volumen		L / in <sup>3</sup>	0,3 / 18.3"	0,47 / 28.67"
Weight		kg / lbs	10 / 22	19 / 42
<b>Order number</b>			<b>01 020 050-0</b>	<b>01 020 101-0</b>

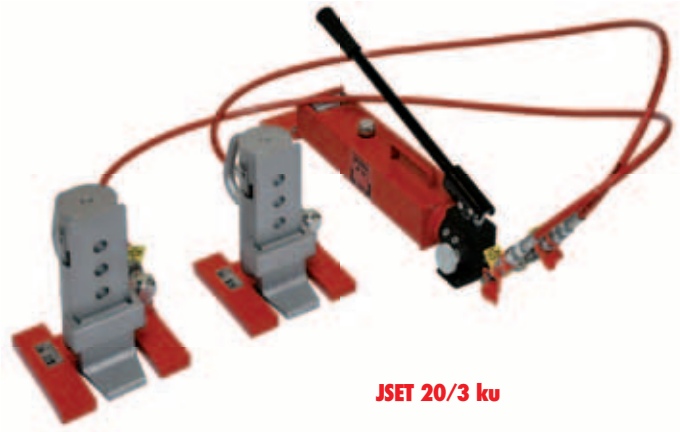
\*load on top plate





# Hydraulic jacks - JHS

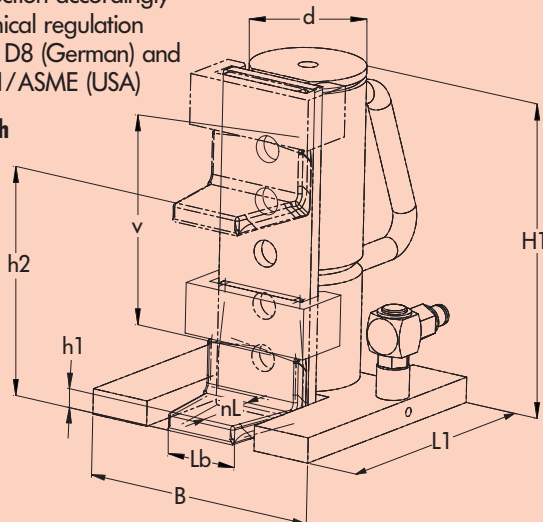
Load capacity up to 20 metric tons



JSET 20/3 ku

► Inspection accordingly technical regulation BGV D8 (German) and ANSI/ASME (USA)

### Sketch



► Please refer to page 12 for hand pumps, to page 13 for hydraulic hoses, for electrical pumps to page 11

### Single hydraulic jacks JHS

Type	Sketch		JHS 10 ku*
Full load capacity*		kg / lbs	10 000 / 22 000
Minimum lift toe height	h 1	mm / in	20 / 0.8"
Maximum lift toe height	h 2	mm / in	288 / 11.3"
Lift toe adjustment	V	mm / in	5 x 41 / 1.6"
Top plate height	H 1	mm / in	265 / 10.4"
Maximum top plate height	H 2	mm / in	373 / 14.7"
Toe width front	L b	mm / in	60 / 2.4"
Useable toe depth	n L	mm / in	55 / 2.2"
Diameter top plate	d	mm / in	95 / 3.7"
Length toe supported	L 2	mm / in	205 / 8.1"
Length toe exposed	L 1	mm / in	260 / 10.2"
Width	B	mm / in	200 / 7.9"
Cylinder volumen		L / in <sup>3</sup>	0,21 / 12.82"
Weight		kg / lbs	19 / 42
<b>Order number</b>			<b>01 020 105-0</b>

\*load on top plate

### Advantages in detail



- 180° revolving slide – for use with or without lifting feet.
- High capacity at low weight.
- Separated pump unit, flexible use even in confined spaces, also in horizontal position.
- Swivelling lifting toe assures optimal adjustment to the load, along with safe and stable support even in raised position (see picture 2 page 7).
- Rotation angle closure makes possible a more flexible work.

### Hydraulic jacks with pump and hoses in one set

Set type	JSET 10/3 ku	JSET 20/3 ku
Jack	1x JHS 10 ku	2x JHS 10 ku
Hose	1 x JS 3	2x JS3
Pump	JP 26	JP 26
<b>Order number</b>	<b>20 410 305-S</b>	<b>20 420 305-S</b>



# Jack Series JH-P

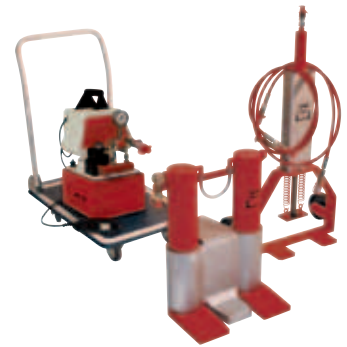
Load capacity up to 50 metric tons



**JSET 13/2**



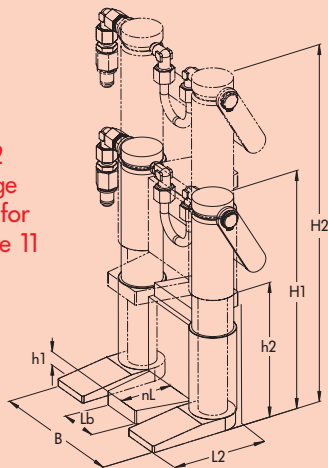
**JSET 30/2**



**JSET 50/3**

## Sketch

Please refer to page 12 for hand pumps, to page 13 for hydraulic hoses, for electrical pumps to page 11



## Advantages in detail



- High capacity at low weight.
- Swivelling feet for perfect positioning.
- Even balancing of load and ideal weight distribution through integrated twin cylinder system.
- Convenient push back / transport cart will transport and retract jack effortlessly JRS 1 (included in JSET 30/50).
- Lock the feet for perfect positioning (Primus 30 and Primus 50)
- Flexible and safe operation by separate lift and pump unit.
- Complete sets available. Unpack and start work immediately.



Push back / transport cart standing

Push back / transport cart transporting



**JRS 1**

**01 001 030-T**



Set type	JSET 13/2	JSET 30/2	JSET 50/3
Jack	1 x JH 13 P	1 x JH 30 P	1 x JH 50 P
Hose	1 x JS 2	2 x JS 2	2 x JS 3
Pump	1 x JP 26	1 x JPE 30 NVR	1 x JPE 55 NVR
Push back / transport	-	1 x JRS 1	1 x JRS 1
<b>Order number</b>	<b>20 413 200-P</b>	<b>20 430 200-P</b>	<b>20 450 300-P</b>

Type	Sketch	JH 13 P**	JH 30 P**	JH 50 P**	
Full load capacity*		kg / lbs	13 000 / 28 000	30 000 / 66 000	50 000 / 110 000
Stroke		mm / in	160 / 6.2"	200 / 7.8"	250 / 9.8"
Minimum lift height (deep toe)	h 1	mm / in	18 / 0.7"	25 / 1.0"	35 / 1.4"
Minimum lift height (high toe)	h 2	mm / in	135 / 5.3"	185 / 7.3"	275 / 10.8"
Top plate height	H 1	mm / in	303 / 11.9"	455 / 17.8"	542 / 21.2"
Maximum top plate height	H 2	mm / in	463 / 18.2"	655 / 25.8"	792 / 31.6"
Toe width front	L b	mm / in	60 / 2.4"	105 / 4.1"	100 / 3.9"
Useable toe depth	n L	mm / in	50 / 2.0"	70 / 2.8"	85 / 3.3"
Length toe supported	L 2	mm / in	170 / 6.7"	255 / 10.0"	350 / 13.8"
Width	B	mm / in	210 / 8.3"	305 / 11.9"	380 / 14.9"
Cylinder volume		L / in <sup>3</sup>	0,4 / 24.41"	1,13 / 68.96"	2,51 / 153.29"
Weight		kg / lbs	15 / 33	51 / 112.4	105 / 231.5
<b>Order number</b>			<b>01 020 130-P</b>	<b>01 020 300-P</b>	<b>01 020 500-P</b>

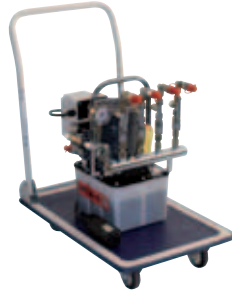
\*On top plate \*\*Eur. patent-no. 1325882

# Electrical hydraulic pumps JPA and JPE

*Powerful and quick*



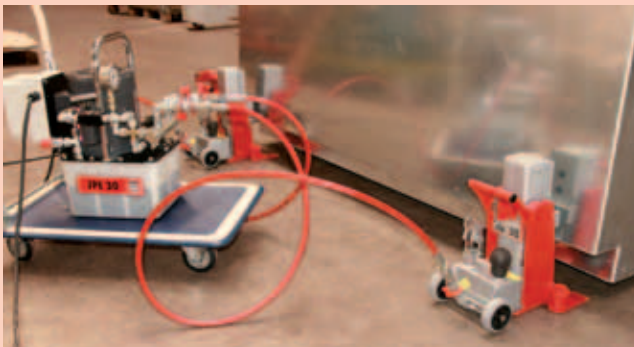
**JPE 30 NVR**



**JPE 30/4 NVR**



**JPE 55 NVR**



Electric pump JPE 30-NVR with 2 jacks in operation

▶ See pages 4-10 for suitable jacks

## Advantages in detail



- Quick connectors with drip free rapid closure valves.
- One oil circuit capable of supplying two hydraulic jacks.
- Easy handling.
- Maximum safety during operation through cable remote control.
- Sturdy two stage electric pumps available in different versions.
- Easily controllable: JPE 30-NVR now with precision lowering regulator.
- Includes transport cart for easy and safe transport.

Recommendation: When lifting one side of a load with 2 jacks use external manual pump type JP16/26 (see page 9), electrical pump type JPE 30 NVR or battery pump JPA 5.

### JPE 30 NVR

#### Standard version

Equipped with 2 hydraulic connection nipples, 1 manometer, precision lowering control.

### JPE 30/4 NVR

#### Extended version

Equipped with connection block JNB 2-E, with lowering speed control valve and 4 x JNB 1-E. Other versions available on request.

### JPE 55 NVR

#### Standard version

Equipped with 2 hydraulic connection nipples, 1 manometer, precision lowering control and 1 extra hydraulic connection for push back transport cart.

### Electrical pumps without hoses

Type		JPE 30 NVR	JPE 30/4 NVR	JPE 55 NVR
Oil volume	L	7.6 / 4.8	7.6 / 4.8	9.5 / 8.4
Working pressure	bar	520	520	520
Connections	pcs	2	4	2
Flow rate high pressure	h / min	3.9 - 7 bar	3.9 - 7 bar	7.1 - 50 bar
Flow rate high pressure	h / min	0.33 - 520 bar	0.33 - 520 bar	0.95 - 520 bar
Motor facts		230 V, 50 Hz	230 V, 50 Hz	230 V, 50 Hz
Dimensions L x W x H	mm / in	530 x 300 x 560 / 20.8 x 11.8 x 22"	530 x 300 x 610 / 20.8 x 11.8 x 23.8"	530 x 300 x 560 / 20.8 x 11.8 x 22"
Length of hoses	mm / in	variable	variable	variable
Weight with oil and cart	kg / lbs	40 / 88	450 / 99	40 / 88
Usable jacks		any hydraulic jacks	any hydraulic jacks	any hydraulic jacks
Order number		03 300 200-EU	03 300 004-EU	03 550 200-E

# Hand pumps JP and air hydraulic pump JPL

*Light and powerful*



JP 26



JPL 15

▶ Arbour-mounted pressure gauge available on page 13

Recommended for use with two hydraulic jacks



Application with „Primus“ and JP 26.

## Hydraulic hand pumps without hoses

Type		JP 26
Oil volume complete / usable	L	2.1 / 2.0
Working pressure	bar / psi	520 / 7540 psi
Flow rate per stroke	L	0,0132 (0-14 bar) / 0,0023 (14-520 bar)
Connections	pcs	2
Dimensions L x W x H	mm / in	770 x 170** x 169 / 30.3 x 6.7 x 6.7"
Length of hoses	mm / in	variable*
Weight with oil on cart	kg / lbs	13.0 / 28.6
<b>Order number</b>		<b>02 260 000-P</b>

\*available up to 15 000 mm \*\*Wide foot plate

## Advantages in detail

- Sturdy construction, yet lightweight and easy to handle.
- Pressure limiting valve provides safety against overloading.
- Optimally compatible with our hydraulic jacks.
- Pumps are equipped with integrated quick-lift for faster working.
- JPL 15 with adjustable working pressure.

## Uses and applications for hand pumps / air hydraulic pumps

Jacks	JP 26	JPL 15
JH 5 G plus	2x	2x
JH 10 G plus / JH 10 G plus ku	2x	2x
JH 15 G plus	2x	2x
JH 20 G plus	2x	2x
JH 30 G plus Ex	1x	1x
JHS 5	2x	2x
JHS 10	2x	1x
JHS 10 ku	2x	2x
JH 13 P	2x	2x
JH 30 P	-	1x
JH 50 P	-	-

## Air hydraulic pumps

Type		JPL 15
Oil volume	L	1,5 / 1,5
Working pressure	bar	0-700
Flow rate without load	L / min	1,07
Flow rate with load	L / min	0,18
Air connection	bar	7-14
Dimensions L x W x H	mm / in	380 x 136 x 185 / 15 x 5.4 x 7.3"
Connections	pcs.	2
Weight with oil	kg / lbs	8,2 / 18.1
<b>Order number</b>		<b>02 150 000-PL</b>

# Accessories

## For jacks



**01**

**Pressure gauge**



**02**

**Handle JH 10 G plus ku**



**03**

**Arbor-mounted pressure gauge**



**04**

**Hollow piston with spring return**

**01 Pressure Gauge**  
for pumps on page 12

Type	Gauge
Ø	63 mm / 2.5" in
<b>Order number</b>	<b>94 040 024-E</b>

**03 Arbor-mounted pressure gauge**  
for jacks on page 6-7

Type	Gauge
Ø	63 mm / 2.5" in
<b>Order number</b>	<b>94 001 024-B</b>

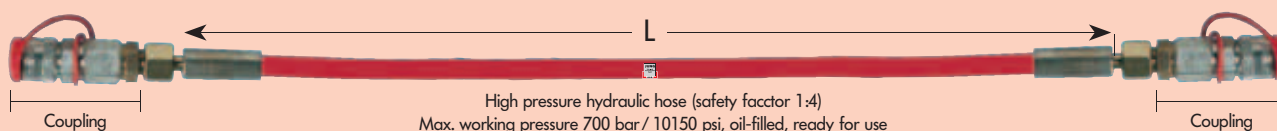
**02 Handle for JH 10 G plus ku**  
for screw attachment. For jack on page 6

Type	JH 10 G plus ku
H x W x L mm / in	110 x 125 x 55 / 4.3 x 4.9 x 2.2"
<b>Order number</b>	<b>91 106 260-B</b>

**04 Assembly of hollow piston with spring return**  
Re-fitting of hydraulic jacks type JH 15 / 20 G plus and JH 15/20 G plus EX-version is possible

Type	JH 15 G plus	JH 20 G plus
<b>Order number</b>	<b>91 156 454-B</b>	<b>91 206 454-B</b>

### Hydraulic hoses for our hydraulic and electrical hydraulic pumps

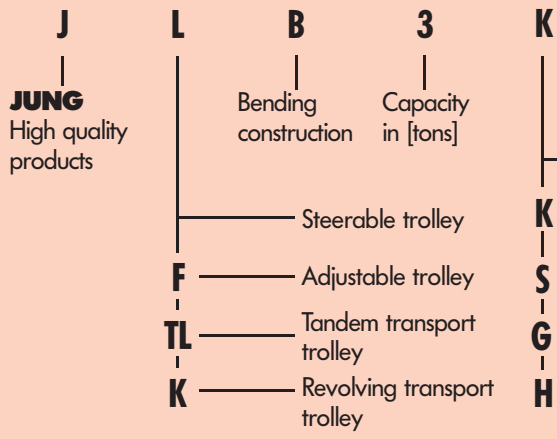
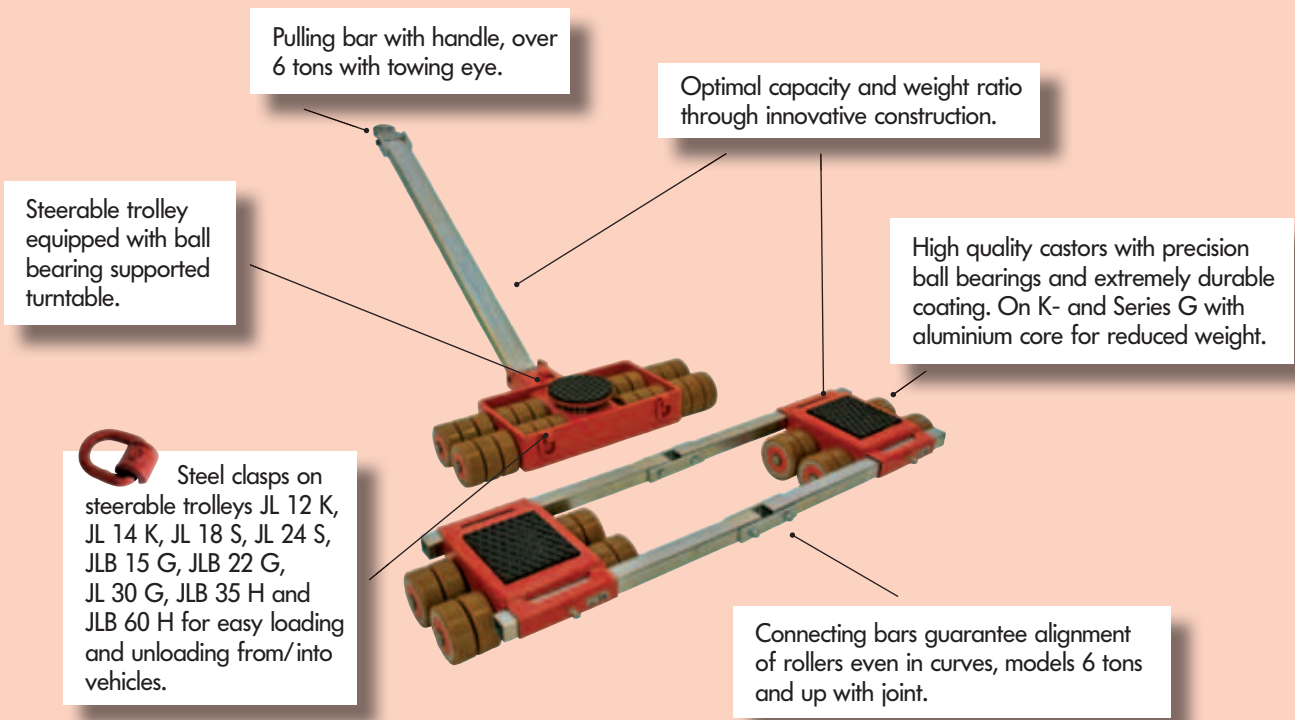


Hose type		JS 2	JS 3	JS 4	JS 6	JS 15
Drip free couplings	no.	2	2	2	2	2
Length	L= mm / in	2 000 / 78.7"	3 000 / 118.1"	4 000 / 157.5"	6 000 / 236.2"	variable*
<b>Order number</b>		<b>15 200 002-0</b>	<b>15 300 002-0</b>	<b>15 400 002-0</b>	<b>15 600 002-0</b>	<b>15.....00-002**</b>

\*available up to 15 000 mm

\*\* .....enter L in mm

# Trolley information and overview



▶ Please refer to page 32-33 for additional roller information

- For load weight up to 24 metric tons, Height: 110 mm / 4.3 in (page 15-19)
- For load weight up to 28 metric tons, Height: 110 mm / 4.3 in (page 20-21)
- For load weight up to 48 metric tons, Height: 125 mm / 4.9 in (page 22)
- For load weight up to 60 metric tons, Height: 180 mm / 7.1 in (page 23-25, 27)
- For load weight up to 120 metric tons, Height: 230 mm / 9.1 in (page 28-29)



# Revolving Transport Trolley JKB

For loads up to 6 metric tons



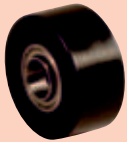
**JKB 1,5**



**JKB 3**

### Available with:

JUWAmid-coated



for level and clean floors  
Order number 95 050 088-P

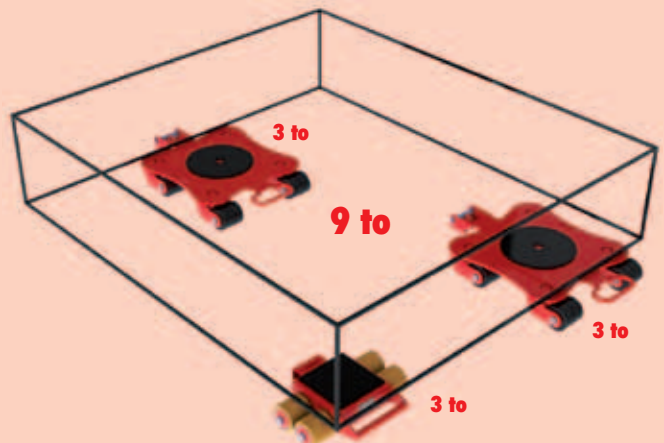
### Available with:

JUWathan<sup>®</sup> plus-coated aluminium core



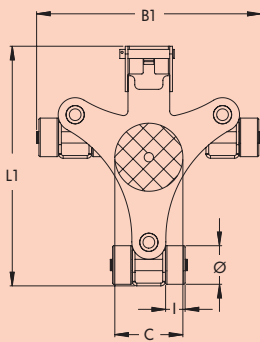
for any floors  
Order number 95 050 131-V

### Example for load distribution on 9 tons JKB 3 Set:

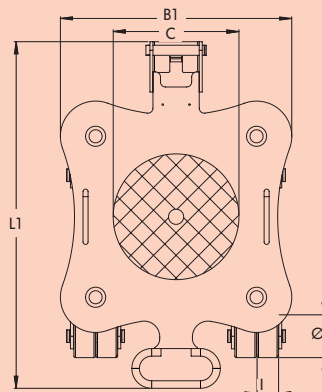


Please refer to page 32-33 for additional roller information

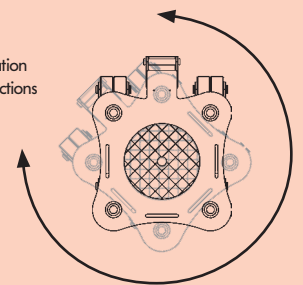
Sketch JKB 1,5



Sketch JKB 3



360° rotation  
in all directions



Inspection accordingly  
technical regulation ANSI/  
ASME (USA)

Load weight up to		1,5 metric to	3 metric to	3 metric to	6 metric to
Type	Sketch	JKB 1,5 K	JKB 1,5 Set	JKB 3 K	JKB 3 Set
composed of		1 x JKB 1,5 K	2 x JKB 1,5 K	1 x JKB 3 K	2 x JKB 3 K
Load capacity	kg / lbs	1 500 / 3 300	3 000 / 6 600	3 000 / 6 600	6 000 / 13 200
Number of castors	pcs	6	2 x 6	8	2 x 8
Castor dimensions	Ø x l mm / in	85 x 43 / 3.4 x 1.7"	85 x 43 / 3.4 x 1.7"	85 x 43 / 3.3 x 1.7"	85 x 43 / 3.3 x 1.7"
Fitting height	mm / in	110 / 4.4"	110 / 4.4"	110 / 4.3"	110 / 4.3"
Supporting surface of turntable	Ø C mm / in	250 / 10"	250 / 10"	250 / 9.8"	250 / 9.8"
Cassette dimensions	L1 x B1 mm / in	575 x 460 / 23 x 18.4"	575 x 460 / 23 x 18.4"	575 x 460 / 22.6 x 18.1"	575 x 460 / 22.6 x 18.1"
Weight JUWAmid	kg / lbs	20 / 4.4	40 / 88	30 / 66	60 / 132
Order-no. with JUWAmid		14 015 085-P	14 015 085-D	14 030 085-P	14 030 085-D

# Revolving transport trolley JKB

For loads up to 12 metric tons



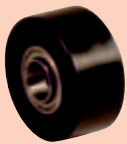
**JKB 4**



**JKB 6**

### Available with:

JUWAmid-coated



for level and clean floors  
Order number 95 050 088-P

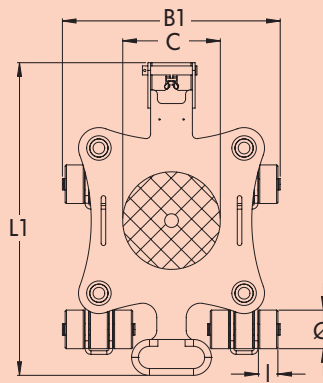
### Available with:

JUWathan® plus-coated aluminium core

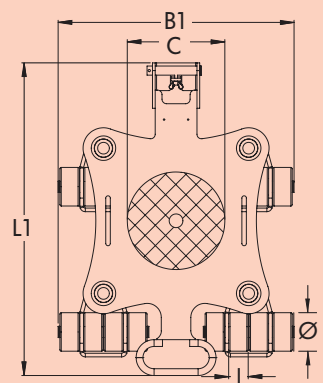


for any floors  
Order number 95 050 131-V

Sketch JKB 4



Sketch JKB 6

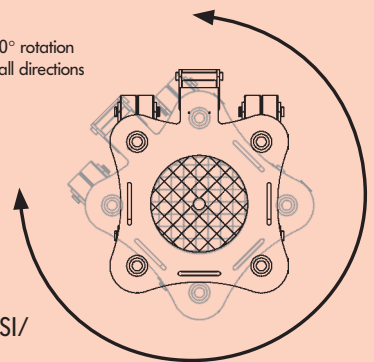


▶ Please refer to page 32-33 for additional roller information



JKB in action

360° rotation  
in all directions



▶ Inspection accordingly  
technical regulation ANSI/  
ASME (USA)

Load weight up to			4 metric to	8 metric to	6 metric to	12 metric to
Type	Sketch		JKB 4 K	JKB 4 Set	JKB 6 K	JKB 6 Set
composed of			1 x JKB 4 K	2 x JKB 4 K	1 x JKB 6 K	2 x JKB 6 K
Load capacity		kg / lbs	4 000 / 8 800	8 000 / 17 600	6 000 / 13 200	12 000 / 26 400
Number of castors		pcs	12	2 x 12	16	2 x 16
Castor dimensions	Ø x l	mm / in	85 x 43 / 3.3 x 1.7"	85 x 43 / 3.3 x 1.7"	85 x 43 / 3.3 x 1.7"	85 x 43 / 3.3 x 1.7"
Fitting height		mm / in	110 / 4.3"	110 / 4.3"	110 / 4.3"	110 / 4.3"
Supporting surface of turntable	Ø C	mm / in	250 / 9.8"	250 / 9.8"	250 / 9.8"	250 / 9.8"
Cassette dimensions	L1 x B1	mm / in	690 x 475 / 27.2 x 18.7"	690 x 475 / 27.2 x 18.7"	690 x 525 / 27.2 x 20.7"	690 x 525 / 27.2 x 20.7"
Weight JUWAmid		kg / lbs	43 / 95	86 / 189	44 / 97	88 / 194
Order number with JUWAmid			14 041 085-P	14 041 085-D	14 061 085-P	14 061 085-D



# Revolving transport trolley JKB

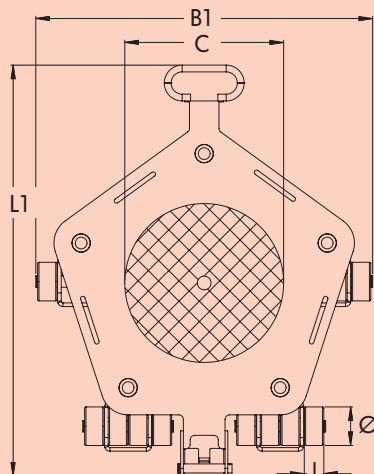
For loads up to 15 metric tons



JKB 7,5



Sketch JKB 7,5



Inspection accordingly technical regulation ANSI/ASME (USA)

## Advantages in detail

- Optional connecting bars can be fixed without tools by clamping down on handle.
- High load capacity at low weight.
- Bearing supported swivelling rollers allow 360° maneuverability.
- Same height trolleys provide interchangeability. Mix and match revolving trolleys with Series K transport trolleys.
- All products in a set also available with accessories listed on page 31.
- Unrivalled: The double roller system reduces rolling and turning resistance to a minimum.
- Using the slits in the platform the trolleys JKB 3-7,5 can be affixed to the load with standard tiedown belts.
- In addition, all the trolleys are outfitted with a platform center hole to allow attachment to the load.
- For choosing the adequate revolving trolley we recommend a load of two-third of the maximum capacity. This will be the most advantageous compromise between load, ergonomic and handling of the equipment.

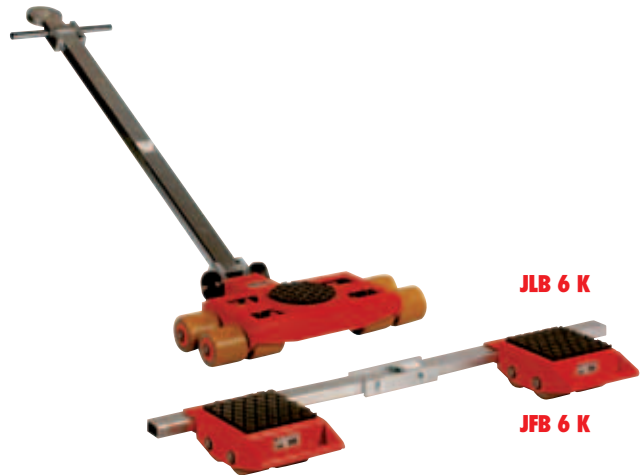
Please see page 31 for compatible connecting bars and pulling handles

Load weight up to		7,5 metric to	15 metric to
Type	Sketch	JKB 7,5 K	JKB 7,5 Set
composed of		1 x JKB 7,5 K	2 x JKB 7,5 K
Load capacity	kg / lbs	7500 / 16500	15000 / 33000
Number of Castors	pcs	20	2 x 20
Castor dimensions	Ø x l mm / in	85 x 43 / 3.3 x 1.7"	85 x 43 / 3.3 x 1.7"
Fitting height	mm / in	110 / 4.3"	110 / 4.3"
Supporting Surface of turnable	Ø C mm / in	250 / 9.8"	250 / 9.8"
Cassette dimensions	L1 x B1 mm / in	910 x 660 / 35.8 x 26.0"	910 x 660 / 35.8 x 26.0"
Weight with JUWAmid	kg / lbs	63,5 / 140	127 / 280
Order number with JUWAmid		14 075 085-P	14 075 085-D



# Transport trolleys Series K

For loads up to 24 metric tons



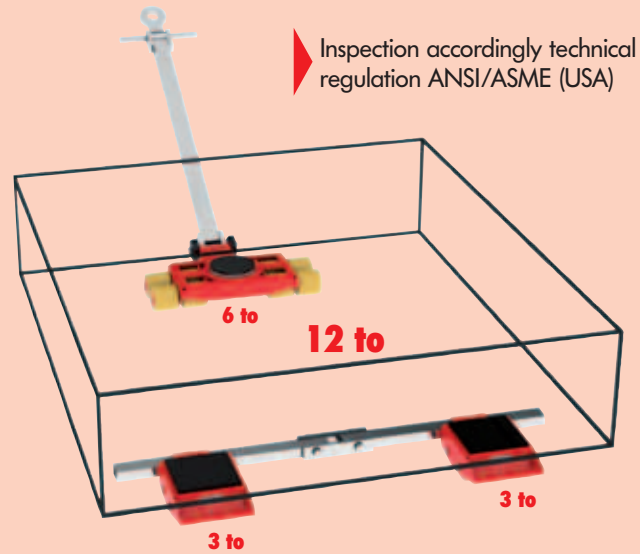
Available with:		
JUWathan® plus coated aluminium castor	JUWamid coated aluminium castor	Steel castor
		
for any floors Order no. 95 050 057-V	for clean floors Order no. 95 050 023-P	for not sensitive floors Order no. 95 050 043-S

Please refer to page 32-33 for additional roller information



Castors with ball bearings guarantee easy movement

## Example for load distribution on 12 tons trolley combination:



Inspection accordingly technical regulation ANSI/ASME (USA)

### Load weight up to

Type	Sketch	6 metric tons		12 metric tons		
		JLB 3 K	JFB 3 K	JLB 6 K	JFB 6 K	
Load capacity		kg/lbs	3 000 / 6 600	3 000 / 6 600	6 000 / 13 200	6 000 / 13 200
Number of castors		pcs	4	4	8	8
Castors dimensions	Ø x l	mm / in	85 x 85 / 3.3 x 3.3"	85 x 85 / 3.3 x 3.3"	85 x 85 / 3.3 x 3.3"	85 x 85 / 3.3 x 3.3"
Fitting height		mm / in	110 / 4.3"	110 / 4.3"	110 / 4.3"	110 / 4.3"
Supporting surface per cassette	Ex F	mm / in		120 x 80 / 4.7 x 3.1"		175 x 170 / 6.9 x 6.7"
Cassette dimensions	L x B x H	mm / in		190 x 125 / 7.5 x 4.9"		325 x 200 / 12.8 x 7.9"
Connecting rod with joint	Length	mm / in		1 000** / 39.4"		1 230 / 48.4"
Cassettes adjustable from - to	G - H	mm / in		125 - 880 / 4.9 - 34.6"		400 - 1 030 / 15.7 - 40.6"
Supporting surface of turnable	Ø C	mm / in	150 / 5.9"		150 / 5.9"	
Dimensions	L x B x H	mm / in	225 x 280 / 8.9 x 11"		445 x 590 / 17.5 x 23.2"	
Handlebar with pulling eye	Length	mm / in	990* / 39"		1 120 / 44.1"	
Weight JUWathan plus		kg / lbs	12 / 26	11 / 24	33 / 72	25 / 55
<b>Order number with JUWathan plus</b>			<b>07 031 085-V</b>	<b>08 031 085-V</b>	<b>07 061 085-V</b>	<b>08 061 085-V</b>

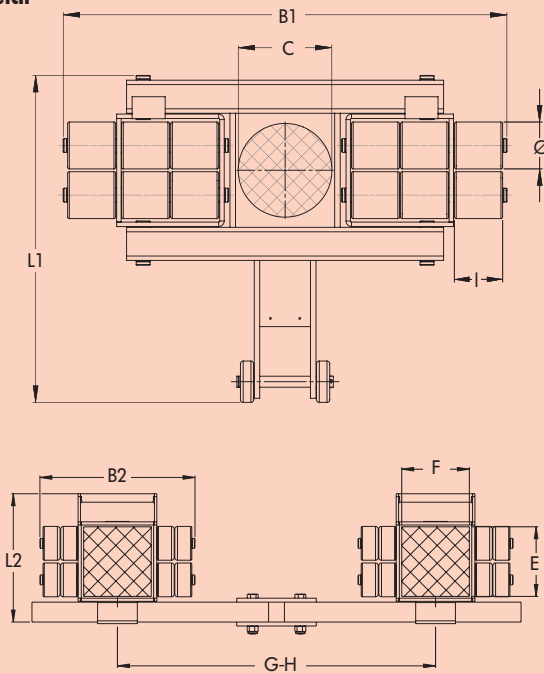
\*JLB 3 K steering bar without pulling eye — \*\*JFB 3 K without joint

# Transport trolleys Series K

For loads up to 24 metric tons



Sketch



## Advantages in detail

- Galvanized axles and safety clip rings for improved protection against corrosion.
- Outfitted with highest quality rollers as standard.
- Reduced weight through advanced construction of load cassettes.
- All transport trolleys are ready for use: The steerable transport trolley is fitted with a ball bearing supported turntable and a handlebar (as shown in picture). The adjustable-width transport trolley consists of two transport units and connecting rod.
- The Series K handle bars are now also available with a removable handle. (See on page 31).



▶ Inspection accordingly technical regulation ANSI/ASME (USA)

Load weight up to

Type	Sketch	18 metric tons		24 metric tons	
		JL 9 K	JFB 9 K	JL 12 K	JFB 12 K
Load capacity	kg / lbs	9 000 / 19 800	9 000 / 19 800	12 000 / 26 400	12 000 / 26 400
Number of castors	pcs	12	12	16	16
Castors dimensions	Ø x l mm / in	85 x 85 / 3.3 x 3.3"	85 x 85 / 3.3 x 3.3"	85 x 85 / 3.3 x 3.3"	85 x 85 / 3.3 x 3.3"
Fitting height	mm / in	110 / 4.3"	110 / 4.3"	110 / 4.3"	110 / 4.3"
Supporting surface per cassette	E x F mm / in		175 x 170 / 6.9 x 6.7		175 x 170 / 6.9 x 6.7
Cassette dimensions	L2 x B2 mm / in		325 x 390 / 12.8 x 15.4		325 x 390 / 12.8 x 15.4
Connecting rod with joint	Length mm / in		1 230 / 48.4"		1 230 / 48.4"
Cassettes adjustable from - to	G - H mm / in		400 - 1 030 / 15.7 - 40.6"		400 - 1 030 / 15.7 - 40.6"
Supporting surface of turntable	Ø C mm / in		170 / 6.7"		170 / 6.7"
Dimensions	L1 x B1 mm / in	580 x 820 / 22.8 x 32.3"		580 x 1000 / 22.8 x 39.3"	
Handlebar with pulling eye	Length mm / in	1 120 / 44.1"		1 120 / 44.1"	
Weight JUWAtan plus	kg / lbs	54 / 119	32 / 70	64 / 141	35 / 77
Order number with JUWAtan plus		07 090 085-V	08 091 085-V	07 120 085-V	08 121 085-V



# Transport trolleys Series K professional

For load weights up to 28 metric tons



JLB 7 K

JFB 7 K



JL 10 K

JFB 10 K

### Available with:

Professional castor  
JUWATHAN® plus coated aluminium castor

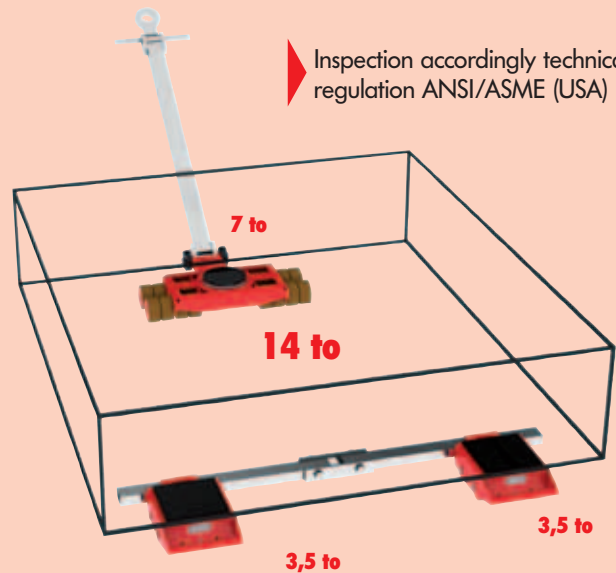


for any floors  
Order number 95 050 089-D

▶ Please refer to page 32-33 for additional roller information.

### Example for load distribution on 14 tons trolley combination:

▶ Inspection accordingly technical regulation ANSI/ASME (USA)



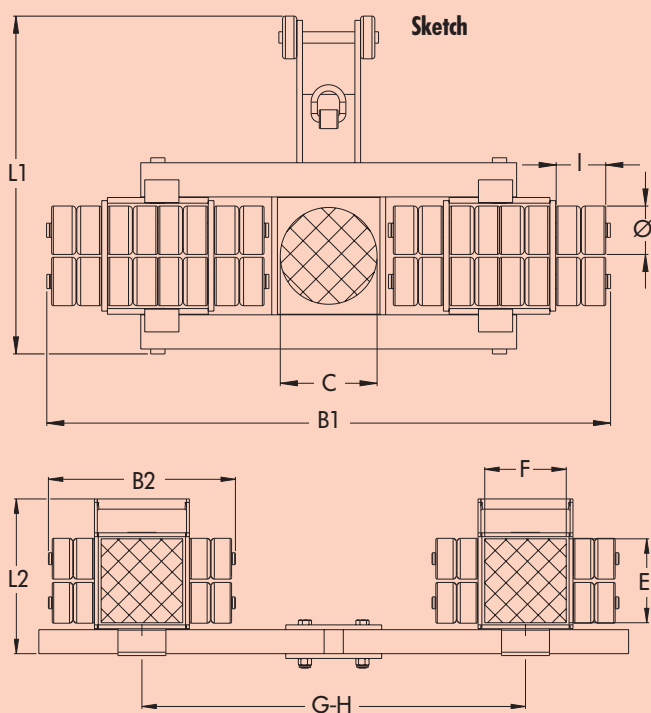
Castors with ball bearings guarantee easy motion

### Load weight up to

Type	Sketch	14 metric tons		20 metric tons		
		JLB 7 K	JFB 7 K	JL 10 K	JFB 10 K	
Load capacity		kg / lbs	7 000 / 15 400	7 000 / 15 400	10 000 / 22 000	10 000 / 22 000
Number of castors		pcs	8	8	12	12
Castors dimensions	Ø x l	mm / in	85 x 85 / 3.3 x 3.3"	85 x 85 / 3.3 x 3.3"	85 x 85 / 3.3 x 3.3"	85 x 85 / 3.3 x 3.3"
Fitting height		mm / in	110 / 4.3"	110 / 4.3"	110 / 4.3"	110 / 4.3"
Supporting surface per cassette	Ex F	mm / in		175 x 170 / 6.9 x 6.7"		175 x 170 / 6.9 x 6.7"
Cassette dimensions	L2 x B2	mm / in		325 x 200 / 12.8 x 7.9"		325 x 390 / 12.8 x 15.4"
Connecting rod with joint	Length	mm / in		1 230 / 48.4"		1 230 / 48.4"
Cassettes adjustable from - to	G - H	mm / in		400 - 1 030 / 15.7 - 40.6"		400 - 1 030 / 15.7 - 40.6"
Supporting surface of turnable	Ø C	mm / in	150 / 5.9"		170 / 6.7"	
Dimensions	L1 x B1	mm / in	445 x 590 / 17.5 x 23.2"		580 x 820 / 22.8 x 32.3"	
Handlebar with pulling eye	Length	mm / in	1 120 / 44.1"		1 120 / 44.1"	
Weight professional		kg / lbs	36 / 79	27 / 59	56 / 123	35 / 77
<b>Order-no. with professional</b>			<b>07 071 085-D</b>	<b>08 071 085-D</b>	<b>07 100 085-D</b>	<b>08 101 085-D</b>

# Transport trolleys Series K professional

For load weights up to 28 metric tons



## Advantages in detail

- Galvanized axles and safety clip rings for improved protection against corrosion.
- The double roller design results in dramatically easier steering due to reduced friction forces in curves. The much lower friction resistance also causes the rollers on the rear axis to follow in a truer course.
- Higher capacity at same dimension as Series K trolleys.
- All transport trolleys are ready for use: Steerable transport trolley includes ball bearing supported turntable and a handlebar, the adjustable-width transport trolley consists of two load cassettes and connecting rod.
- The Series K handle bars are now also available with a removable handle. (See on page 31).

Removable handle



▶ Inspection accordingly technical regulation ANSI/ASME (USA)

Load weight up to

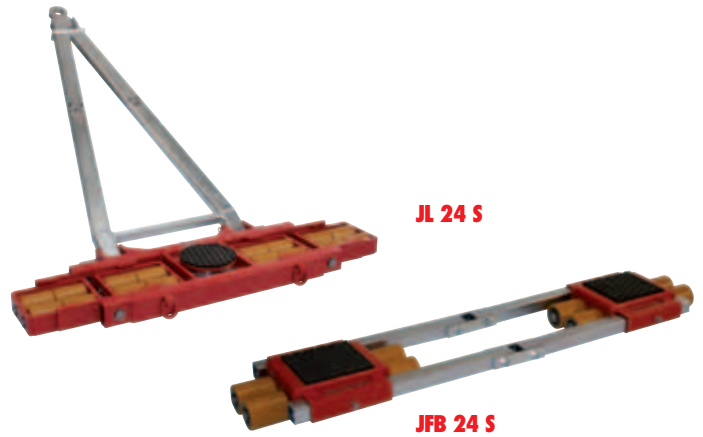
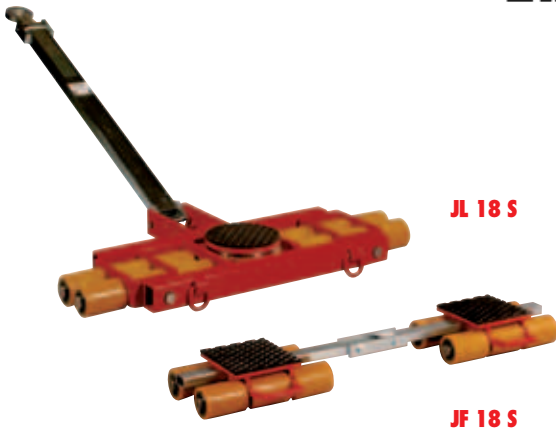
28 metric tons

Type	Sketch		JL 14 K	JFB 14 K
Load capacity		kg / lbs	14 000 / 30 800	14 000 / 30 800
Number of castors		pcs	16	16
Castor dimensions	$\emptyset \times l$	mm / in	85 x 85 / 3.3 x 3.3"	85 x 85 / 3.3 x 3.3"
Fitting height		mm / in	110 / 4.3"	110 / 4.3"
Supporting surface per cassette	E x F	mm / in		175 x 170 / 6.9 x 6.7
Cassette dimensions	L2 x B2	mm / in		325 x 390 / 12.8 x 15.4
Connecting rod with joint	Length	mm / in		1 230 / 48.4"
Cassettes adjustable from - to	G - H	mm / in		400 - 1 030 / 15.7 - 40.6"
Supporting surface of turntable	$\emptyset C$	mm / in	170 / 6.7"	
Dimensions	L1 x B1	mm / in	580 x 100 / 22.8 x 39,3"	
Handlebar with pulling eye	Length	mm / in	1 120 / 44.1"	
Weight professional		kg / lbs	68 / 150	39 / 86
Order-no. with professional			07 140 085-D	08 141 085-D



# Transport trolleys Series S

For load weights up to 48 metric tons



**Available with:**  
JUWAtan-coated steel castors



for any floors  
Order number 95 050 025-V

**Available with:**  
Steel castors

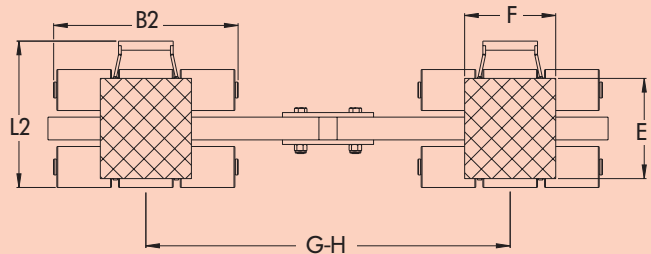
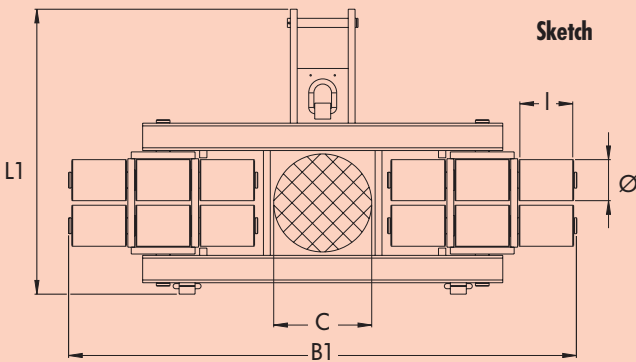


for insensitve floors  
Order number 95 050 026-S

## Advantages in detail

- Pivoting roller cassettes within the frame assure even pressure distribution across all rollers and across the floor. No need for complex and expensive hydraulic compensation system.
- Low height at only 125 mm / 4.9" with high capacity.

▶ Please refer to page 32-33 for additional roller information



Type	Sketch	36 metric tons		48 metric tons		
		JL 18 S	JF 18 S	JL 24 S	JFB 24 S	
Load capacity	kg / lbs	18 000 / 39 600	18 000 / 39 600	24 000 / 52 800	24 000 / 52 800	
Number of castors	pcs	12	12	16	16	
Castor dimensions	Ø x l mm / in	90 x 120 / 3.5 x 4.7"	90 x 120 / 3.5 x 4.7"	90 x 120 / 3.5 x 4.7"	90 x 120 / 3.5 x 4.7"	
Fitting height	mm / in	125 / 4.9"	125 / 4.9"	125 / 4.9"	125 / 4.9"	
Supporting surface per cassette	E x F mm / in		220 x 200 / 8.6 x 7.8"		200 x 220 / 7.9 x 8.7"	
Cassette dimensions	L2 x B2 mm / in		260 x 410 / 10.2 x 16.1"		370 x 565 / 14.6 x 22.2"	
Connecting rod with joint	Length mm / in		1 230 / 48.4"		2 x 1 540 / 60.6"	
Cassettes adjustable from - to	G - H mm / in		420 - 1100 / 16.5 - 43.3"		700 - 1300 / 27.6 - 51.2"	
Supporting surface of turntable	Ø C mm / in		215 / 8.5"		215 / 8.5"	
Dimensions	L1 x B1 mm / in		600 x 1 120 / 23.6 x 44.1"		610 x 1 500 / 24 x 59"	
Handlebar with pulling eye	mm / in		1 230 / 48.4"		1 590 / 62.6"	
Weight JUWAtan Steel	kg - lbs		110 / 118 - 242 / 260		205 / 224 - 452 / 494	
Order-no. with JUWAtan coated castors			05 180 090-V	06 180 090-V	05 240 090-V	06 241 090-V
Order-no. with steel castors			05 180 090-S	06 180 090-S	05 240 090-S	06 241 090-S



# Self-powered trolley

**Load capacity 15 metric tons,  
Pulling capacity 30 metric tons**



**JLA 15/30 G**



**JLA Set 1**



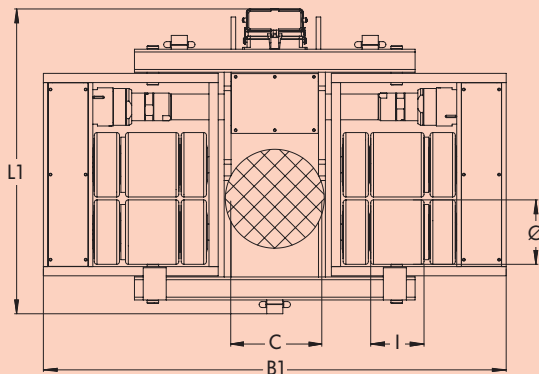
**JLA Set 2**



**JLA Set 3**



Sketch JLA 15/30 G



Higher loading capacities on request.

## Advantages in detail



- Easy set-up. Connect pneumatic hose and go.
- No need for separate pulling vehicle.
- Similar dimensions as dollies in the same series.
- Low maintenance.
- All hoses are detachable creating compact system for easy transport.
- Capable of turning 360°.
- No need for electric power cable.
- Standard pneumatic connection with 116 psi and a volume of air with 1500 l / min is required.
- Also usable in Ex-areas and in corrosive atmosphere.
- Continuously variable through regulation of working pressure.

### JLA Sets

Type	JLA Set 1	JLA Set 2	JLA Set 3
JLA incl. steering unit	1 x	1 x	1 x
hose length/diameter	30 m / 8 mm 1181" / 0,31"	30 m / 19 mm 1181" / 0,75"	30 m / 19 mm 1181" / 0,75"
Cart + oil + chain spray	1 x	1 x	1 x
JFB 15 G	-	-	1 x
<b>Order number</b>	<b>22 150 140-VP1</b>	<b>22 150 140-VP2</b>	<b>22 150 140-VP3</b>

Type	Sketch	JLA 15/30 G
Load capacity	kg / lbs	15.000 / 33.000
Pulling capacity	kg / lbs	30.000 / 66.000
Number of castors	pcs	4 G / 8 G 1/2
Castor dimensions	Ø x l mm / in	140 x 120 / 5.5 x 4.7" / 140 x 59 / 5.5 x 2.3"
Fitting height	mm / in	180 / 7.1"
Supporting surface of turntable	Ø C mm / in	215 / 8.5"
Dimensions	L1 x B1 mm / in	1070 x 700 / 42.1 x 27.5"
Weight	kg / lbs	175 / 385
Air consumption	L / sec.	25
<b>Order-no. with JUWathan plus</b>		<b>22 150 140-V</b>

# Transport trolleys Series G professional

For load weights up to 60 metric tons



**JLB 15 G**

**JFB 15 G**



**JLB 22 G**

**JFB 22 G**

## Available with:

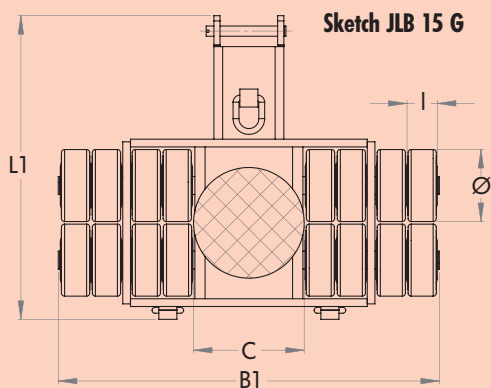
JUWathan® plus-coated aluminium core



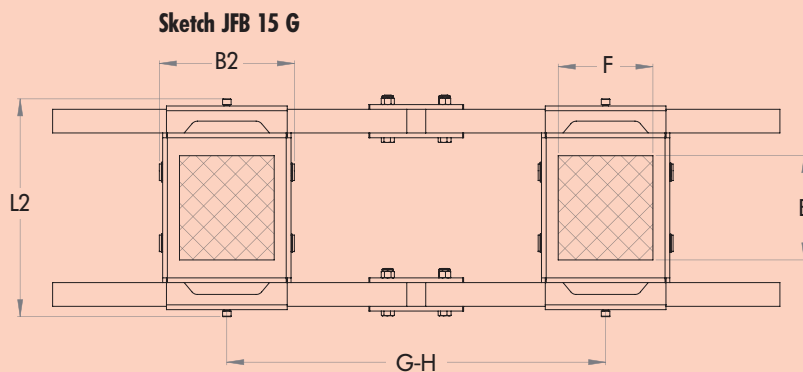
for any floors

Order number 95 050 047-V

Please refer to page 32-33 for additional roller information.



Sketch JLB 15 G



Sketch JFB 15 G

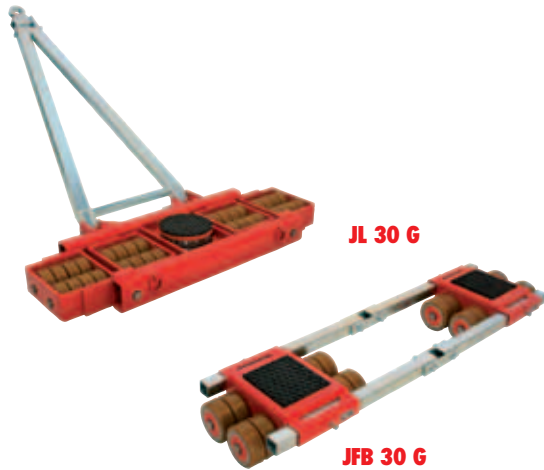
Load weight up to

Type	Sketch	30 metric tons		45 metric tons		
		JLB 15 G	JFB 15 G	JLB 22 G	JFB 22 G	
Load capacity		kg / lbs	15 000 / 33 000	15 000 / 33 000	22 500 / 49 500	22 500 / 49 500
Number of castors		pcs	16	16	24	24
Castor dimensions	Ø x l	mm / in	140 x 59 / 5.5 x 2.3"	140 x 59 / 5.5 x 2.3"	140 x 59 / 5.5 x 2.3"	140 x 59 / 5.5 x 2.3"
Fitting height		mm / in	180 / 7.1"	180 / 7.1"	180 / 7.1"	180 / 7.1"
Supporting surface per cassette	E x F	mm / in		220 x 200 / 8.6 x 7.8"		220 x 200 / 8.6 x 7.8"
Cassette dimensions	L2 x B2	mm / in		460 x 285 / 18.0 x 11.1"		460 x 400 / 18.0 x 20.6"
Connecting rod with joint	Length	mm / in		2 x 1 540 / 60.6"		2 x 1 540 / 60.6"
Cassettes adjustable from - to	G - H	mm / in		475 - 1 300 / 18.7 - 54.3"		530 - 1 300 / 20.7 - 54.3"
Supporting surface of turnable	Ø C	mm / in	215 / 8.5"		215 / 8.5"	
Dimensions	L1 x B1	mm / in	565 x 741 / 22.2 x 29.1"		565 x 981 / 22.2 x 38.6"	
Handlebar with pulling eye	Length	mm / in	1 230 / 48.4"		1 450 / 57"	
Weight JUWathan plus		kg / lbs	96 / 212	88 / 194	129 / 284	113 / 249
Order-no. with JUWathan plus			09 151 140-V	10 151 140-V	09 221 140-V	10 221 140-V

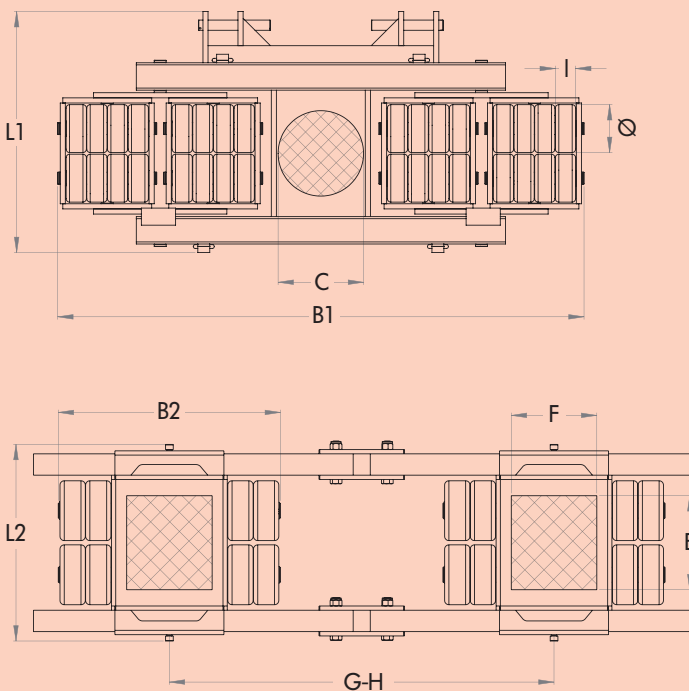


# Transport trolleys Series G professional

For load weights up to 60 metric tons



Sketch



## Advantages in detail

- Pivoting roller cassettes within the frame assure even pressure distribution across all rollers and across the floor. No need for complex and expensive hydraulic compensation system.
- The double roller design results in dramatically easier steering due to reduced friction forces in curves. The much lower friction resistance also causes the rollers on the rear axis to follow in a truer course.
- All transport trolleys are ready for use: The steerable transport trolley is fitted with a ball bearing supported turntable and a handlebar (as shown in picture). The adjustable-width transport trolley consists of two transport units and connecting rod.

Load weight up to

60 metric tons

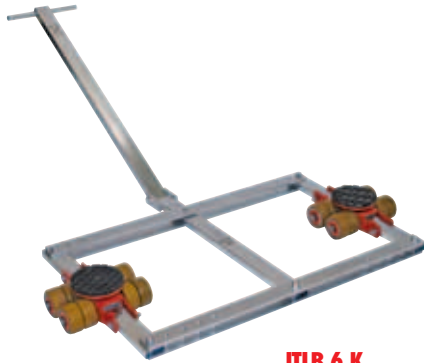
Type	Sketch	JL 30 G	JFB 30 G
Load capacity	kg / lbs	30 000 / 66 100	30 000 / 66 100
Number of castors	pcs	32	32
Castor dimensions	Ø x l	140 x 59 / 5.5 x 2.3"	140 x 59 / 5.5 x 2.3"
Fitting height	mm / in	180 / 7.1"	180 / 7.1"
Supporting surface per cassette	E x F		220 x 200 / 8.6 x 7.8"
Cassette dimensions	L2 x B2		460 x 528 / 18.0 x 20.6"
Connecting rod with joint	Length		2 x 1 540 / 60.6"
Cassettes adjustable from - to	G - H		530 - 1 300 / 20.7 - 54.3"
Supporting surface of turntable	Ø C	250 / 9.4"	
Dimensions	L1 x B1	750 x 1 550 / 29.5 x 61"	
Handlebar with pulling eye	Length	1 590 / 62.6"	
Weight JUWathan plus	kg	312 / 688	126 / 278
Order-no. with JUWathan plus		09 301 140-V	10 302 140-V

\*other lengths on request

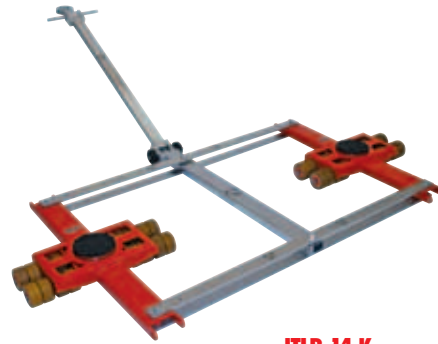


# Transport trolleys Series K professional

For load weights up to 12 metric tons



**JTLB 6 K**



**JTLB 14 K**

### Available with:

Professional castor  
JUWAithan® plus coated aluminium castor

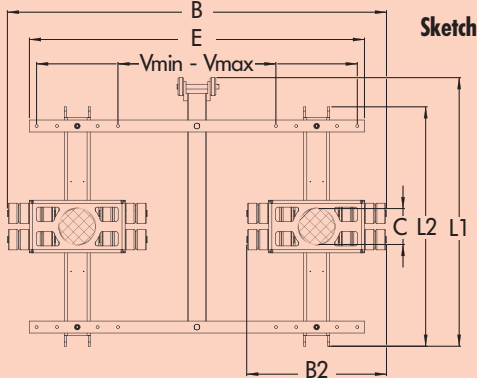


for any floors  
Order number 95 050 089-D

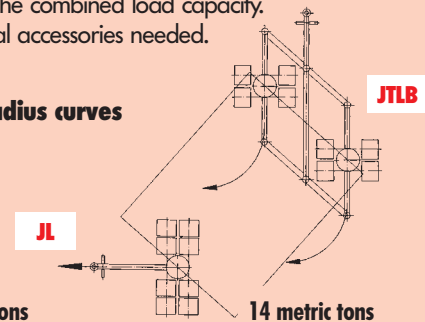
▶ Please refer to page 32-33 for additional roller information

### Advantages in detail

- Galvanized axles and safety clip rings for improved protection against corrosion.
- The double roller design results in dramatically easier steering due to reduced friction forces in curves. The much lower friction resistance also causes the rollers on the rear axis to following in a truer course.
- Tandem transport trolley for loads with no leading or trailing edge centre support.
- Ready for use: 2 interconnected steerable trolleys with 2 handlebars and two tandem connecting rods.
- Multi-purpose use: Also useable as two single trolleys, each with half of the combined load capacity. No additional accessories needed.



### For short radius curves



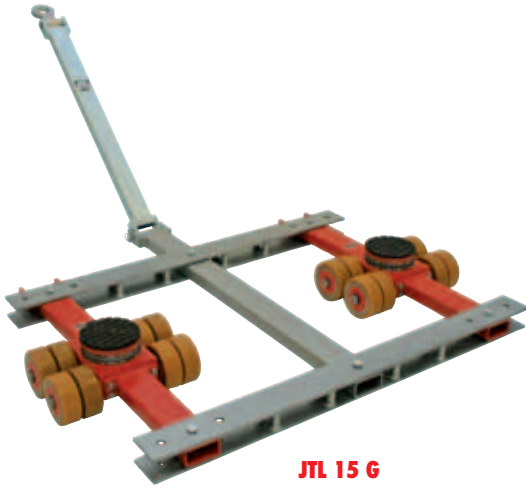
Load weight up to

Type	Sketch		JTLB 6 K	JTLB 14 K
Load capacity		kg / lbs	6 000 / 13 200	14 000 / 30 800
Number of castors		pcs	8	16
Castor dimensions	Ø x l	mm / in	85 x 85 / 3.3 x 3.3"	85 x 85 / 3.3 x 3.3"
Fitting height		mm / in	110 / 4.3"	110 / 4.3"
Cassette dimensions	L2 x B2	mm / in	600 x 280 / 23.6 x 11"	1 000 x 590 / 39.4 x 23.2"
Supporting surface per cassette	Ø C	mm / in	150 / 5.9"	150 / 5.9"
Connecting rod	E	mm / in	1 000 / 39.4"	1 400 / 55.1"
Adjustable from - to Vmin - Vmax.		mm / in	560 - 960* / 22 - 37.3**	600 - 1 340* / 25.9 - 52.7**
Adjustable			5x	5x
Total length width	L1 x B1	mm / in	760 x 1 240 / 29.9 x 48.8"	1 070 x 1 580 / 42.1 x 62.1"
Handlebar with pulling eye	Length	mm / in	990** / 39**	1 120 / 44.1"
Weight professional		kg / lbs	37 / 82	104 / 229
Order-no. with professional			12 061 085-D	12 121 085-D

\*other lengths on request \*\*without pulling eye

# Transport trolleys Series G professional

For load weights up to 30 metric tons



**JTL 15 G**



**JTLB 30 G**

### Available with:

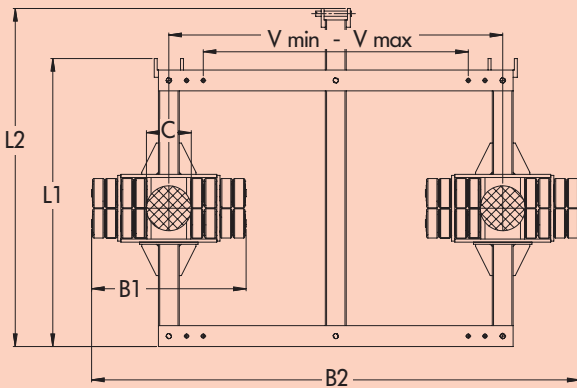
JUWathan® plus-coated aluminium core



for any floors  
Order number 95 050 048-V

▶ Please refer to page 32-33 for additional roller information

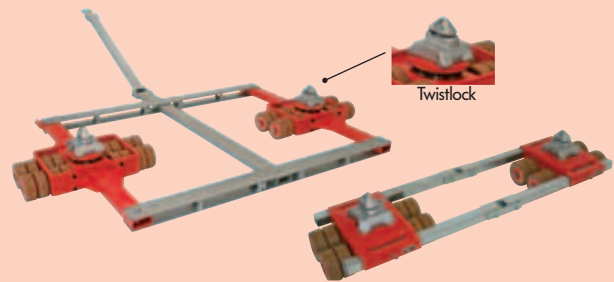
Sketch



### Advantages in detail

- Large rollers warrant optimal rolling characteristics on uneven surfaces and rough pavements.
- Safely overcomes small ledges, cracks in the concrete and countersunk rail tracks.
- Multi-purpose use: Also useable as two single trolleys, each with half of the combined load capacity. No additional accessories needed.
- Custom solutions available: Ask for individual design with specific measurements and adjustable connections.

Available with twistlock via special order.



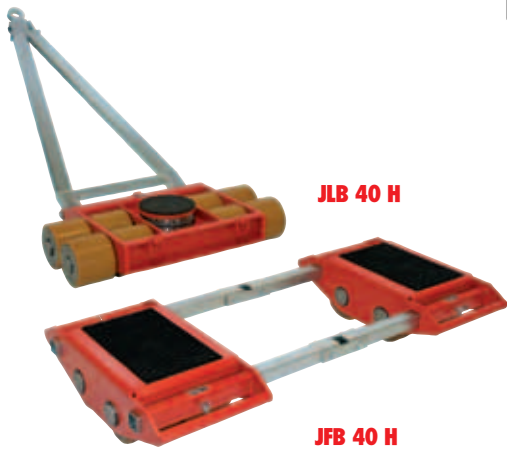
Load weight up to			15 metric tons	30 metric tons
Type	Sketch		JTL 15 G	JTLB 30 G
Load capacity		kg / lbs	15 000 / 33 000	30 000 / 66 100
Number of castors		pcs	16	16
Castor dimensions	Ø x l	mm / in	140 x 59 / 5.5 x 2.3"	140 x 59 / 5.5 x 2.3"
Fitting height		mm / in	180 / 7.1"	180 / 7.1"
Supporting surface of turntable	Ø C	mm / in	170 / 6.7"	215 / 8.5"
Dimensions	L1 x B1	mm / in	1 020 x 440 / 40.2 x 17.3"	1 328 x 740 / 54.3 x 29.1"
Width of track on connection rod	E	mm / in	1 330 / 52.4"	1 700 / 66.9"
Adjustable from-to Vmin. -Vmax.		mm / in	900 - 1 230* / 35.4-48.4"	1 270 - 1 600 / 50 x 63"
Adjustable			3x	3x
Dimensions	L2 x B2	mm / in	1 260 x 1670 / 49.5 x 65.6"	1 620 x 2 340 / 63.8 x 92.1"
Handlebar with pulling eye	Length	mm / in	1 230 / 48.4"	1 230 / 48.4"
Weight JUWathan plus		kg	168 / 370	291 / 642
Order-no. with JUWathan plus			12 150 140-V	12 302 140-V

\*other lengths on request



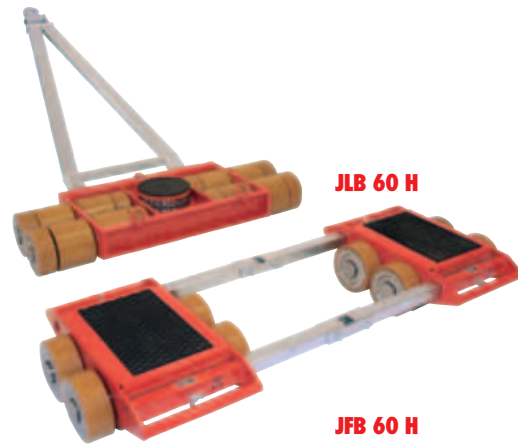
# Trolleys Series H

Load capacity up to 120 metric tons



**JLB 40 H**

**JFB 40 H**



**JLB 60 H**

**JFB 60 H**

**Available with:**  
JUWATHan-coated steel castors



for any floors  
Order number 95 050 053-V

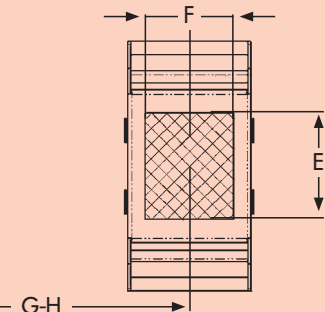
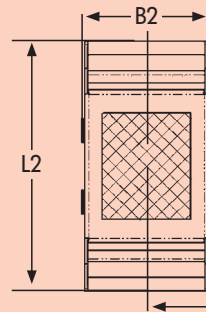
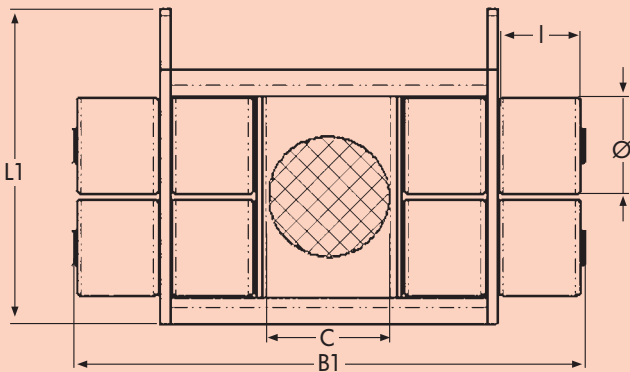
**Available with:**  
JUWATHan-coated steel castors



for any floors  
Order number 95 050 090-V



Please refer to page 32-33 for additional roller information



Load weight up to

80 metric tons

120 metric tons

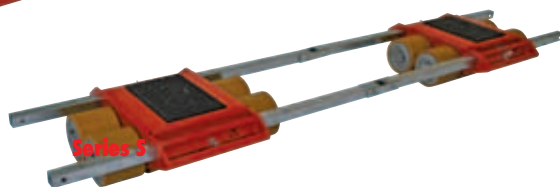
Type	Sketch	JLB 40 H	JFB 40 H	JLB 60 H	JFB 60 H
Load capacity	kg / lbs	40 000 / 88 000	40 000 / 88 000	60 000 / 132 000	60 000 / 132 000
Number of castors	pcs	8	8	8 / 8	8 / 8
Castors dimensions	Ø x l mm / in	200 x 170 / 7.9 x 6.7"	200 x 170 / 7.9 x 6.7"	200 x 170 / 85 / 79 x 67 / 33"	200 x 170 / 85 / 79 x 67 / 33"
Fitting height	mm / in	230 / 9.1"	230 / 9.1"	230 / 9.1"	230 / 9.1"
Supporting surface per cassette	E x F mm / in		395 x 260 / 15.6 x 10.2"		395 x 260 / 15.6 x 10.2"
Cassette dimensions	L2 x B2 mm / in		740 x 395 / 29.1 x 15.6"		740 x 580 / 29.1 x 22.8"
Connecting rod with joint	Length mm / in		2x 1 540 / 60.6"		2x 1 540 / 60.6"
Cassettes adjustable from - to	G - H mm / in		585 - 1 155 / 23 - 45.5"		700 - 2 800 / 27.6 - 110.2"
Supporting surface of turnable	Ø C mm / in		250 / 9.8"		250 / 9.8"
Dimensions	L1 x B1 mm / in		650 x 1 060 / 25.6 x 41.7"		650 x 1 400 / 25.6 x 55.1"
Handlebar with pulling eye	Length mm / in		1 590 / 62.6"		1 590 / 62.6"
Weight JUWATHan plus	kg / lbs	320 / 705	289 / 637	450 / 992	410 / 904
<b>Order-no. with JUWATHan</b>		<b>09 400 200-H</b>	<b>10 400 200-H</b>	<b>09 600 200-H</b>	<b>10 600 200-H</b>
<b>Order-no. with JUWATHan Professional</b>		<b>09 400 205-H</b>	<b>10 400 205-H</b>	<b>09 600 205-H</b>	<b>10 600 205-H</b>

# Trolleys Series H

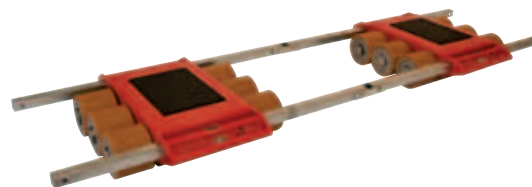
Load capacity up to 160 metric tons



**JL 80 H**

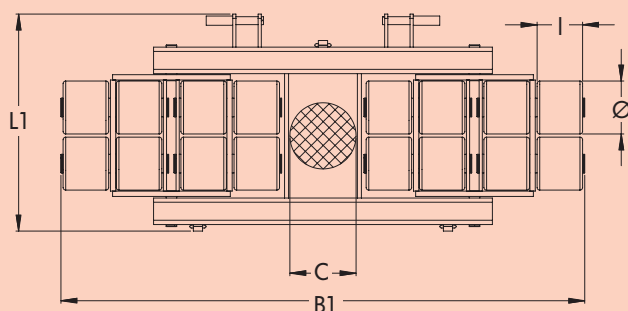


**JFB 80 H**

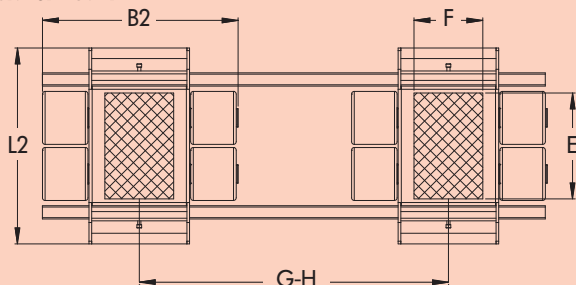


**JFB 120 H**

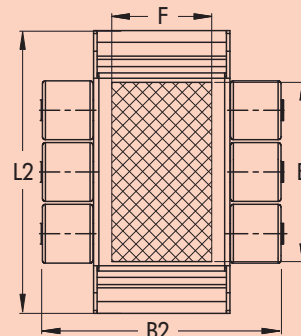
Sketch JL 80 H



Sketch JFB 80 H



Sketch JFB 120 H



## Advantages in detail

- Outfitted with highest quality rollers as standard.
- Unrivalled: Small and lightweight trolleys at super high capacity.
- Reduced weight through advanced construction of frames.
- All transport trolleys are ready for use: The steerable transport trolley is fitted with a ball bearing supported turntable and a handlebar (as shown in picture). The adjustable-width transport trolley consists of two transport units and connecting rods.

Load weight up to

160 metric tons

120 metric tons

Type	Sketch	JL 80 H	JFB 80 H	JFB 120 H
Load capacity	kg / lbs	80 000 / 176 000	80 000 / 176 000	120 000 / 265 000
Number of castors	pcs	16	16	24
Castors dimensions	Ø x l	mm / in	200 x 170 / 7.9 x 6.7"	200 x 170 / 7.9 x 6.7"
Fitting height	mm / in	240 / 9.4"	240 / 9.4"	240 / 9.4"
Supporting surface per cassette	E x F	mm / in	400 x 260 / 15.7 x 10.2"	440 x 300 / 17.3 x 11.8"
Cassette dimensions	L2 x B2	mm / in	750 x 820 / 29.5 x 32.2"	960 x 830 / 37.7 x 32.6"
Connecting rod with joint	Length	mm / in	2 x 3000 / 118"	2 x 3000 / 118"
Cassettes adjustable from - to	G - H	mm / in	1 630 - 3 380 / 64.1-132.9"	1 630 - 3 380 / 64.1-132.9"
Supporting surface of turntable	Ø C	mm / in	250 / 9.8"	
Dimensions	L1 x B1	mm / in	820 x 1 900 / 32.2 x 74.7"	
Handlebar with pulling eye	Length	mm / in	1 590 / 62.6"	
Weight JUWAtan plus	kg / lbs	723 / 1 594	565 / 1 246	815 / 1 797
Order-no. with JUWAtan		09 800 200-H	10 800 200-H	10 912 200-H
Order-no. with JUWAtan Professional		09 800 205-H	10 800 205-H	10 912 205-H



# Twistlock / „Weld-on Cone“

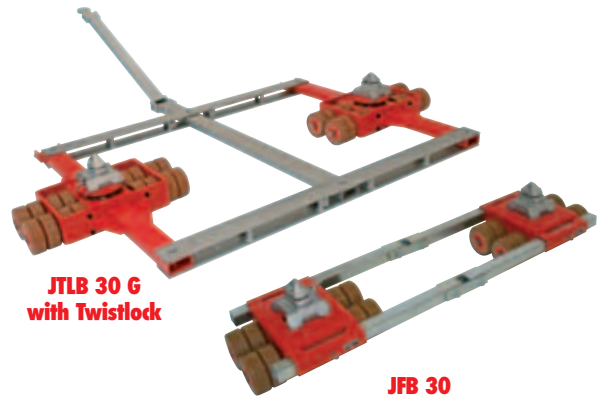
safety transport of container



**JTLB 14 K**  
with Weld-on Cone

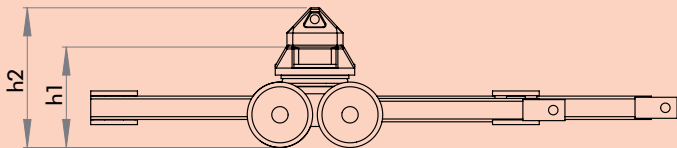


**JFB 14 K**  
with Weld-on Cone



**JTLB 30 G**  
with Twistlock

**JFB 30**  
with Twistlock



## Advantages in detail

- Container can be transported on a low installation level.
- “Twist lock” or “Weld-on Cone” systems easy to refit also for transport trolleys Series K.
- Suitable for all ISO-container.
- Safer transport of containers
- Containers can be moved with a low fitting height.
- Interlocking fit and force fit between the trolley and the containers (Twistlock) or just interlocking fit (Weld-on Cone System).
- Weld-on Cone easy to upgrade for the Series K and Series K Professional trolleys. Compatible for all ISO-Containers.
- Weld-on Cone version includes 2 modified turntables or cassettes with container adapters, non-lockable, and extended track rods (2.26 m) for ISO containers instead of the standard ones. The tandem trolleys include two steering rods with eyes.
- Lockable Twistlock version includes 2 modified turntables or cassettes with Twistlock-system and extended connecting bars (ISO length: 2.26 m; not adjustable) instead of the standard ones. The tandem trolleys include 2 steering rods with eyes. For longer track rods and connecting rods please refer to accessories on page 31.

### „Weld-on Cone“ system

Please refer to page 18-21, 26 for technical details

Type	JTLB 14 K	JFB 6 K	JFB 7 K	JFB 12 K	JFB 14 K	JFB 9 K	JFB 10 K
Fitting height h1	110	110	110	110	110	110	110
Fitting height h2	180	180	180	180	180	180	180
Order number	12 121 085-W	08 061 085-W	08 071 085-W	08 121 085-W	08 141 085-W	08 091 085-W	08 101 085-W

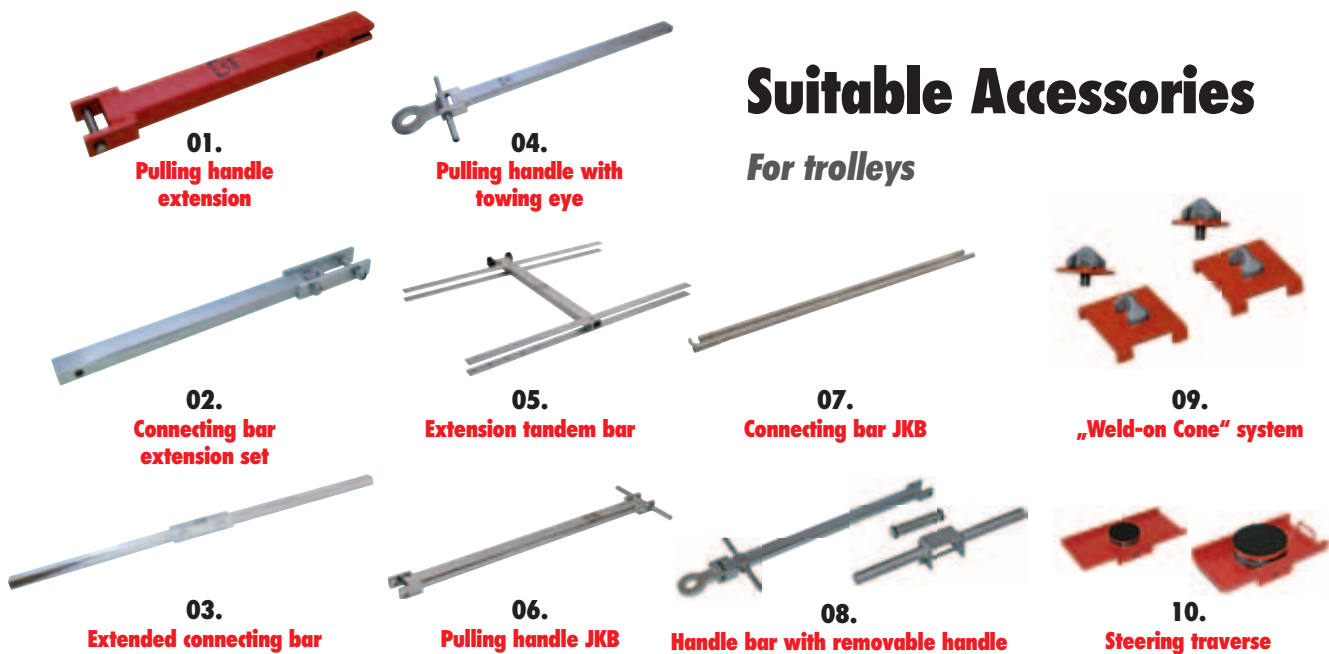
### Twistlock system

Please refer to page 18-21, 26 for technical details

Type	JTL 15	JTL 30 G	JFB 15	JFB 22	JFB 30
Fitting height h1	215	215	215	215	215
Fitting height h2	330	330	330	330	330
Order number	12 260 140-T	12 302 140-T	10 151 140-T	10 221 140-T	10 302 140-T

# Suitable Accessories

## For trolleys



### 01. Pulling handle extension

clamps onto the standard pulling handle.  
For trolleys on page 18-21 and 22.

Type	Series K	Series K	JL 18 S
Length	500 mm / 19.7" in	1 000 mm / 39.4" in	1 000 mm / 39.4" in
Order number	92 010 060-B	92 010 061-B	92 010 062-B

### 02. Connecting bar extension set

for insertion between the standard connecting bars.  
For trolleys on page 18-21.

Type	Series K
Length	635 mm / 25" in
Order number	92 010 157-B

### 03. Extended connecting bar

for trolleys JFB 6 K up to JFB 14 K.

Type	Series K
Length	per customer request
Order number	92 010 063-B

### 04. Pulling handle with towing eye

for steerable trolleys JLB 3 K on page 19 and JTLB 6 on page 26.

Type	JLB 3 K
Length	1 120 mm / 44.1" in
Order number	92 010 148-B

### 05. Extension tandem bar

for trolleys JTLB 6 K / JTLB 14 K on page 26.

Type	JTLB 6 K	JTLB 14 K
Length	per customer request	per customer request
Order number	92 010 160-B	92 010 161-B

### 06. Pulling handle without towing eye

for revolving trolley **JKB** on page 15-17.

Type	JKB 1	JKB 1,5 - JKB 7,5
Length	1 000 mm / 39.4" in	1 120 mm / 44.1" in
Order number	92 060 082-L	92 030 085-L

### 07. Connecting bar

for revolving trolley **JKB** on page 15-17.

Type	JKB 1	JKB 1,5 / JKB 3	JKB 4 / JKB 6 / JKB 7,5
Length	1 000 mm / 39.4" in	1 200 mm / 47.2" in	2 400 mm / 94.5" in
Order number	92 060 082-V	92 030 085-V	92 040 085-V

### 08. Pulling handle with a removable handle

for Series K trolleys on page 18-21. Available as complete pulling handle or as retrofit kit for existing pulling handles.

Type	Series K	Series K
	pulling handle complete	handle + bolt
Order number	92 010 122-B	92 090 300-B

### 09. „Weld-on Cone“ System

Consisting of two modified turntables and two cassette attachments for Series K trolleys.

Type	JLB 3/6/7	JL 9/10/12/14	JFB 6-14
Order number	92 007 070-B	92 007 140-B	92 008 140-B

### 10. Steering traverse

For easy moving of heavy loads by hand pallet trucks or forklifts.

Type	JLT 3	JLT 15
Load capacity	3 to	15 to
Order number	13 203 000-V	13 215 000-V

# Sturdy castors for any application

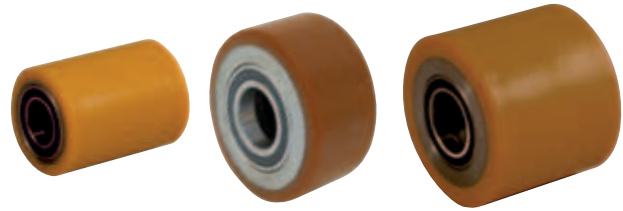
High quality coatings



Series K

Series K Professional

Series G



Series S

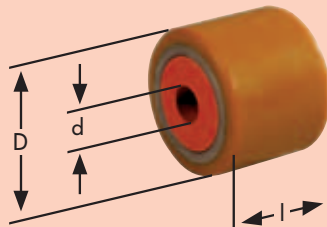
Series H

Series H

JUWATHAN® plus

JUWATHAN®

## Sketch



## Recommended use

Recommended use for	Castor type and coat		
	JUWATHAN® JUWATHAN® plus JUWATHAN® Professional	JUWAmid	Steel
Plain and clean floors	✓	✓	
For any floors, swarf resistant	✓		
Bad floors with roughness			✓

## Details

- **JUWATHAN® castor design:** The coating is molded around a steel core. Two precision ball bearings are pressed into the steel core.
- **JUWATHAN® plus castor design:** Based on the JUWATHAN roller, the new JUWATHAN-plus castor has a new and improved coating material and a more advanced construction. **NEW:** An aluminum core replaces the steel core for easier handling at the same strength. A polyurethane based lining material is bonded around the aluminum core. This construction reduces the rolling resistance and weight by nearly 30 percent.
- **JUWATHAN® Professional:** The professional series roller was developed based on the JUWATHAN plus roller. The side-by-side double roller system provides higher load capacity (2x2 ball bearings) and offers greatly reduced rolling resistance. Turning of the steerable trolley requires less force because the rollers can turn against one another resulting in extremely reduced friction between surface and roller. The much lower friction resistance also causes the rollers on the rear axis to follow in a truer course.

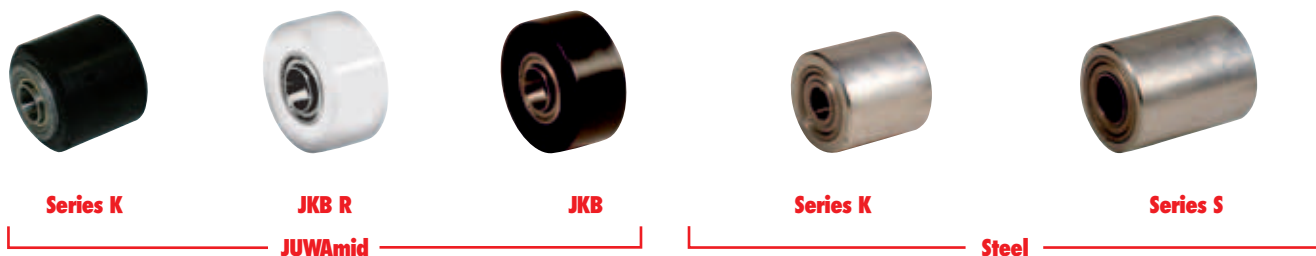
JUWATHAN® plus	Sketch	Series K*	Series K Professional*	Series G*	
Load capacity		kg / lbs	750 / 1 650	875 / 1 925	1 000 / 2 200
Outside diameter	D	mm / in	85 / 3.3"	85 / 3.3"	140 / 5.5"
Inside diameter	d	mm / in	25 / 1"	25 / 1"	35 / 1.4"
Fitting length	l	mm / in	85 / 3.3"	85 / 3.3"	59 / 2.3"
Weight		kg / lbs	0,85 / 1.9	0,95 / 2.1	1,50 / 3.3
<b>Order-no.</b>			<b>95 050 057-V</b>	<b>95 050 089-D</b>	<b>95 050 047-V</b>

JUWATHAN®	Sketch	Series S*	Series H*	Series H*	
Load capacity		kg / lbs	1 500 / 3 300	2 100 / 4 620	5 000 / 11 000
Outside diameter	D	mm / in	90 / 3.5"	200 / 7.9"	200 / 7.9"
Inside diameter	d	mm / in	35 / 1.4"	70 / 2.8"	70 / 2.8"
Fitting length	l	mm / in	120 / 4.7"	85 / 3.3"	170 / 6.7"
Weight		kg / lbs	1,75 / 3.9	8,5 / 18.7	18 / 39.7
<b>Order-no.</b>			<b>95 050 025-V</b>	<b>95 050 090-V</b>	<b>95 050 053-V</b>

\*We grant 5 years of warranty on operability of our wheels except improper use or normal abrasion.



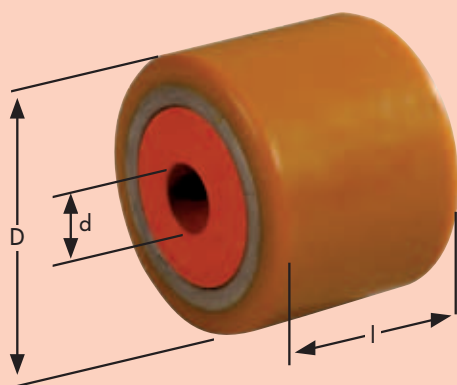
# Our products are also available in galvanized steel



## Details

- **JUWAmid castor design:** The coating is molded around a steel core. Two precision ball bearings are pressed into the steel core.
- **Steel castor design:** The steel body is made of a seamless steel tube. Two ball bearings are pressed into the body.

Sketch



Steel	Sketch		Series K	Series S
Load capacity		kg / lbs	750 / 1 650	1 500 / 3 300
Outside diameter	D	mm / in	85 / 3.3"	90 / 3.5"
Inside diameter	d	mm / in	25 / 1"	35 / 1.4"
Fitting length	l	mm / in	85 / 3.3"	120 / 4.7"
Weight		kg / lbs	2,40 / 5.3	2,85 / 6.3
<b>Order-no.</b>			<b>95 050 043-S</b>	<b>95 050 026-S</b>

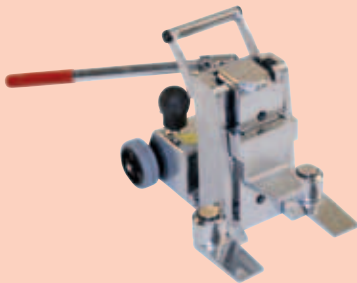
JUWAmid	Sketch		JKB	JKB R	Series K
Load capacity		kg / lbs	375 / 825	375 / 825	750 / 1 650
Outside diameter	D	mm / in	85 / 3.3"	85 / 3.3"	85 / 3.3"
Inside diameter	d	mm / in	25 / 1"	25 / 1"	25 / 1"
Fitting length	l	mm / in	43 / 1.7"	43 / 1.7"	85 / 3.3"
Weight		kg / lbs	0,3 / 0.7	0,3 / 0.7	1 / 2
<b>Order-no.</b>			<b>95 050 088-P</b>	<b>95 050 091-P</b>	<b>95 050 023-P</b>

# Galvanized steel equipment and custom designs

*Based on standard product line*

## Advantages in detail

- Capable for employment in sensitive environments having to conform to standards such as clean rooms.
- Provides collision protection against chipping and peeling of finish.
- Improved defense against corrosion.
- Prevents damage from paint dissolving chemicals like turpentine.



**JH 5 G plus**



**JH 13 P**



**JKB 3**

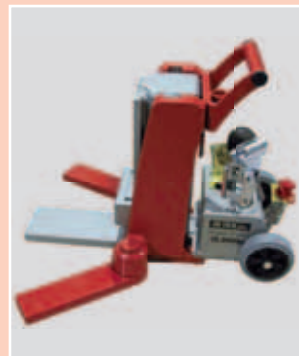


**JLB 6 K**



**JFB 6 K**

## Examples for custom designs - jacks



# Custom designs

*Based on standard product line*

## Examples for custom designs - trolleys

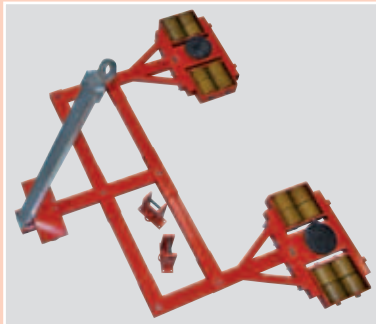
**Revolving trolley with integrated stroke**



**Special steering rod**



**Tandem transport trolley 80 to**



**Trolley with stroke**



**Steering traverse**



**Special trolley / towing device**



**Trolley with stroke for loads up to 30 to**

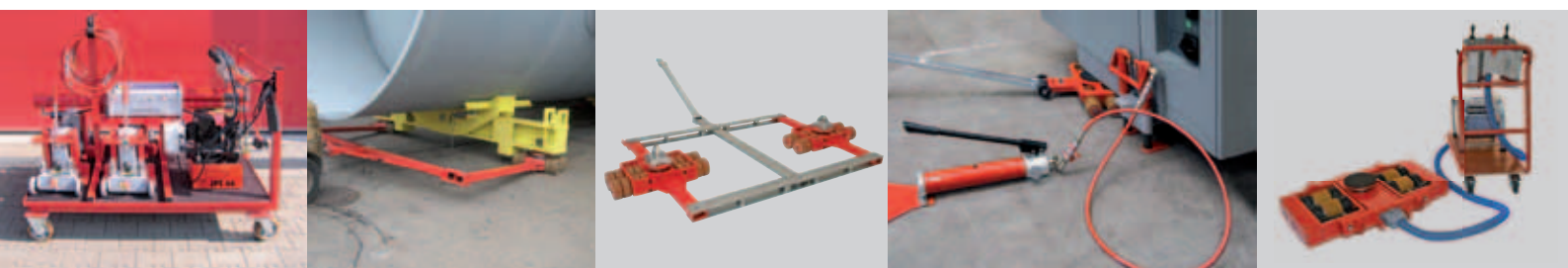


**Special tandem trolley**



**There is nothing better  
than a satisfied customer..**

All catalogues can be downloaded  
on [www.jung-hebetechnik.de](http://www.jung-hebetechnik.de)



**Design, manufacturing, consulting, sales and service:**

**JUNG** Hebe- und Transporttechnik GmbH



Biegelwiesenstraße 5-7

D-71334 Waiblingen

☎ +49 (0) 71 51 / 3 03 93-0

✉ +49 (0) 71 51 / 3 03 93-19

info@jung-hebetechnik.de

www.jung-hebetechnik.de

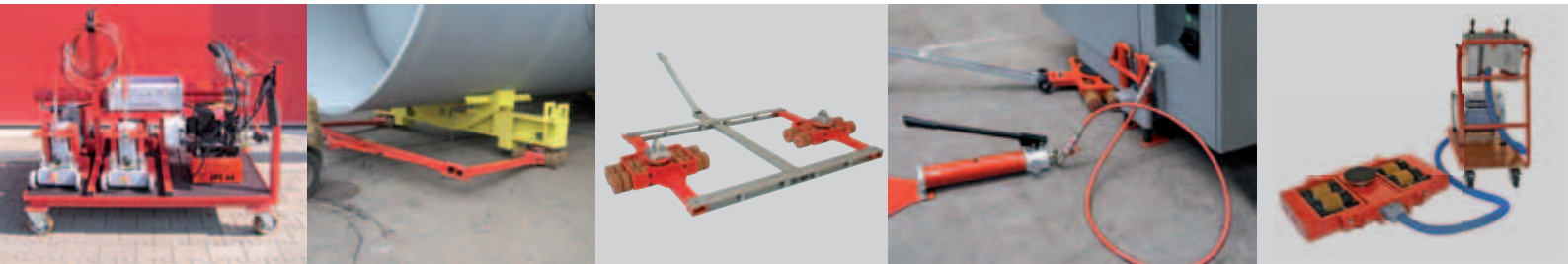


Our logo and brand name „JUNG“ are registered as trademarks in the EU and US with register numbers:  
EU: logo no. 005878897, name no. 005878806, USA: logo reg. no. 3,713,850, name reg. no. 3,697,526

Made in Germany 04.12 · Printed in Germany

We reserve the right to make technical modifications which serve to improve function and quality.

**There is nothing better  
than a satisfied customer..**



**Consulting, sales and service:**



Made in Germany 04.12 · Printed in Germany  
We reserve the right to make technical modifications which serve to improve function and quality.